



## Technical Data Sheet

# *Omega CBCT*



### Special Features

- Conformity to Standard IEC 61869-1
- Compact design, Reliable and accurate.
- Designed to detect earth leakage current and transmit proportional signal to an Earth Leakage Relay
- UL approved CBCT.
- Common wall mounting clamp for all sizes.
- Sealable cap for secondary terminal connections.  
(Maximum sealing wire diameter should be 1.8mm)

## Specification

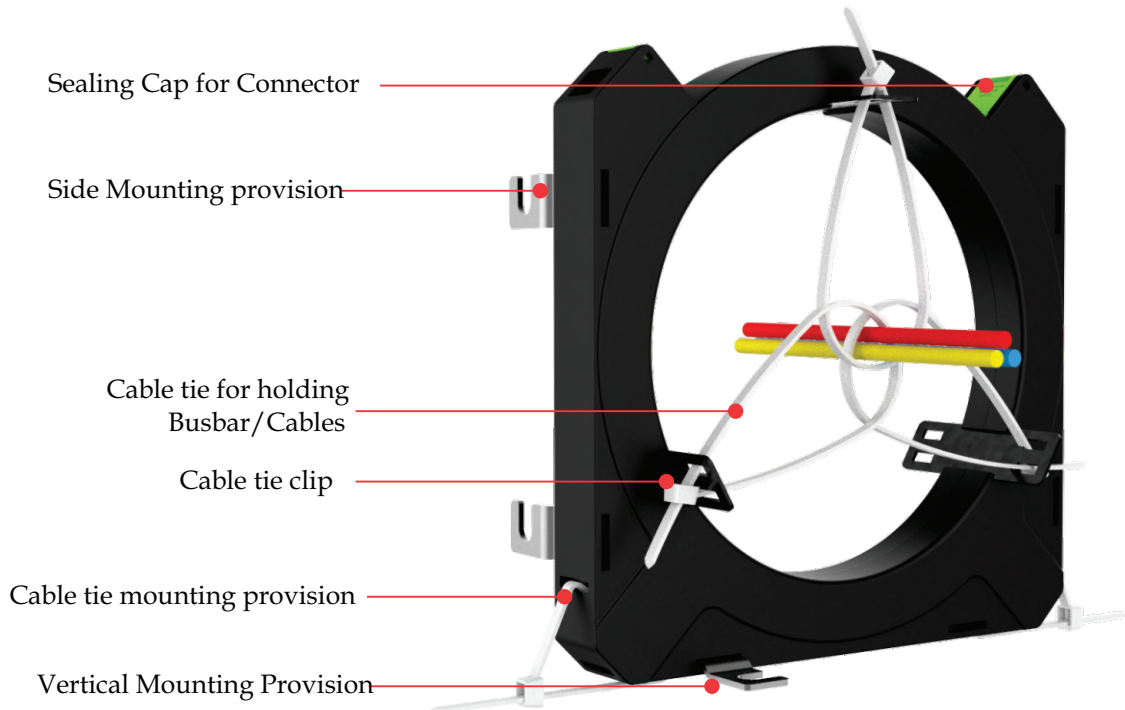
<b>Insulation Coordination</b>	According to IEC 60664 - 1
<b>Case</b>	Nylon 6, 20% GF, FR (30) Black
<b>Insulation Class</b>	E (120°C max)
<b>Connection</b> a) Value b) Wire Range	Screw Type Terminal Connection M2.5, 0.4Nm 0.5 ~ 2.5mm <sup>2</sup> (suitable for pin type lug)
<b>CT Ratio</b>	600:1
<b>Maximum Operating Voltage (Um)</b>	0.72 kV Maximum
<b>Test Voltage</b>	3kV, 50 Hz for 1 minute
<b>Operating Frequency</b>	50/60 Hz
<b>Operating Current Range</b>	30 mA - 30 A
<b>Rated Continuous Thermal Current (Icth)</b>	100 A
<b>Thermal Short Circuit Current (Ith)</b>	60 × Ipr
<b>Dynamic Short Circuit Current (Idyn)</b>	2.5 × Ith
<b>Ambient Temperature</b>	-25°C to 55°C
<b>Storage temperature</b>	-50°C to 80°C
<b>Distance between ELR &amp; CBCT</b>	< 1 meter
<b>Accuracy Class</b>	3 & 15
<b>Secondary Terminal</b>	Protected to Ip20

**\*\*CBCT with spring loaded connector available on request (without UL marking)**

### Product Sizes and Weights :

Name	Size	Weight
OMEGA CBCT 38	38-71 (20)	0.12 Kg
OMEGA CBCT 57	57-97 (20)	0.15 Kg
OMEGA CBCT 70	70-109 (20)	0.18 Kg
OMEGA CBCT 120	120-153 (20)	0.29 Kg
OMEGA CBCT 210	210-250 (20)	0.51 Kg

**Product Features :**

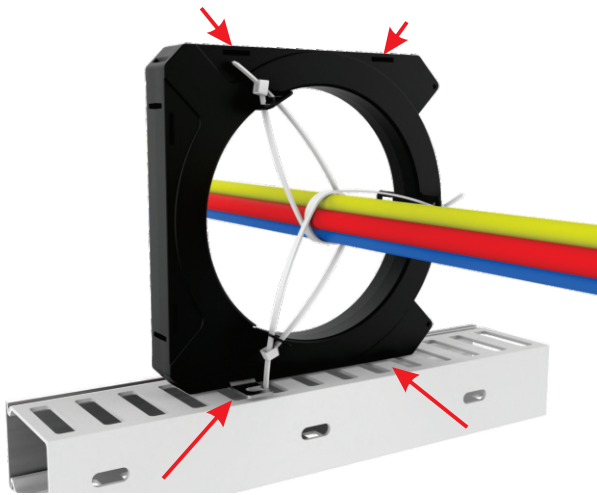


Model ↓ /Features →	Mounting clamp for vertical mounting	Mounting clamp for Horizontal mounting	Cable Tie for vertical mounting	Cable Tie for Busbar Mounting Clip	Terminal Cap
OMEGA CBCT 38	✓	✗	✓	✗	✓
OMEGA CBCT 57	✓	✓	✓	✗	✓
OMEGA CBCT 70	✓	✓	✓	✗	✓
OMEGA CBCT 120	✓	✓	✓	✓	✓
OMEGA CBCT 210	✓	✓	✓	✓	✓

## Product Features :

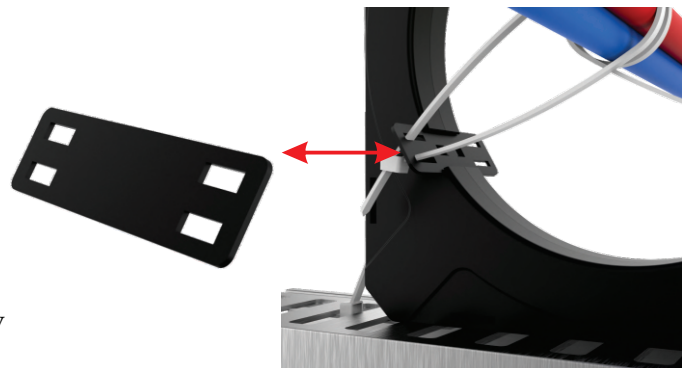
- **Cap for Connector**

Protective cap for connectors on either side of the CT ensures that the terminal is well covered from external entities. The cap also contains provision for sealing.



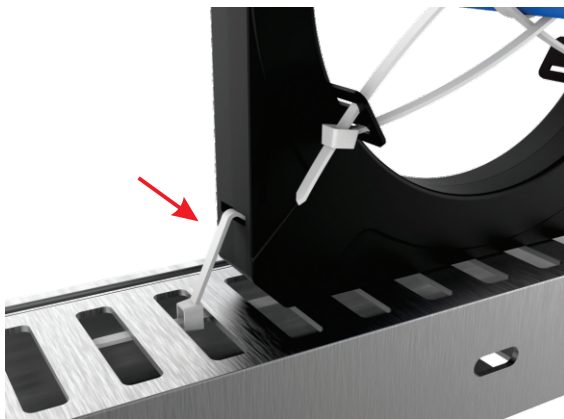
- **Side Mounting Provision**

CBCT can be mounted both horizontally as well as vertically considering the practical challenges occurred while on site installation.



- **Cable tie Clips**

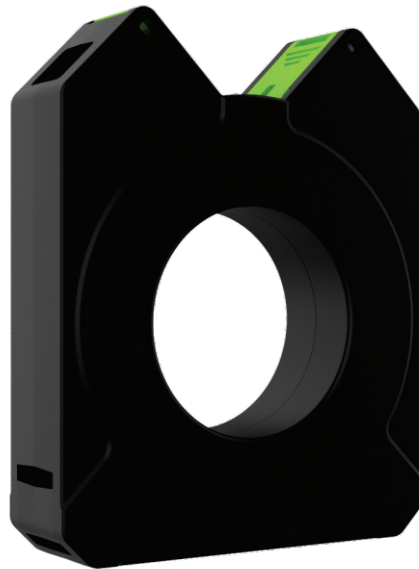
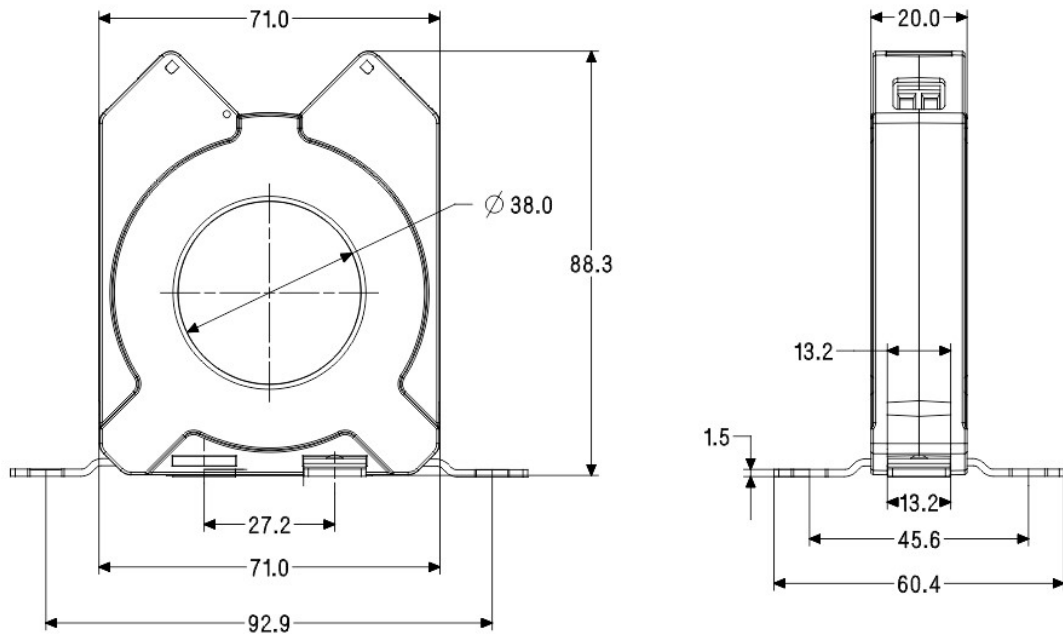
Cable tie clips are located on the CT to ensure that the busbar/cable is centrally aligned so as to get absolute output. The Cable tie clip should be ordered separately



- **Vertical Cable Tie Mounting**

Vertical mounting is basically provided in all categories of CT, although vertical mounting with the help of cable tie gives more flexibility while on site installation.

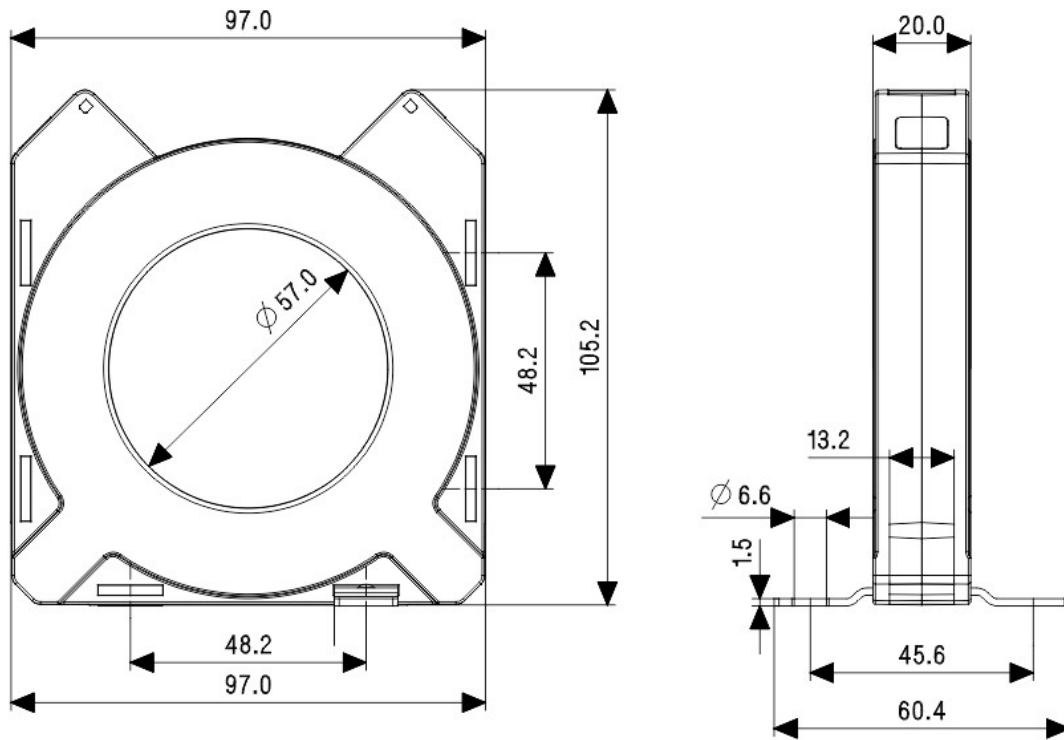
Omega CBCT 38



Ordering Code

CB08-0101000000ST	S CBCT 38/71/20 30MA-30A 600:1
-------------------	--------------------------------

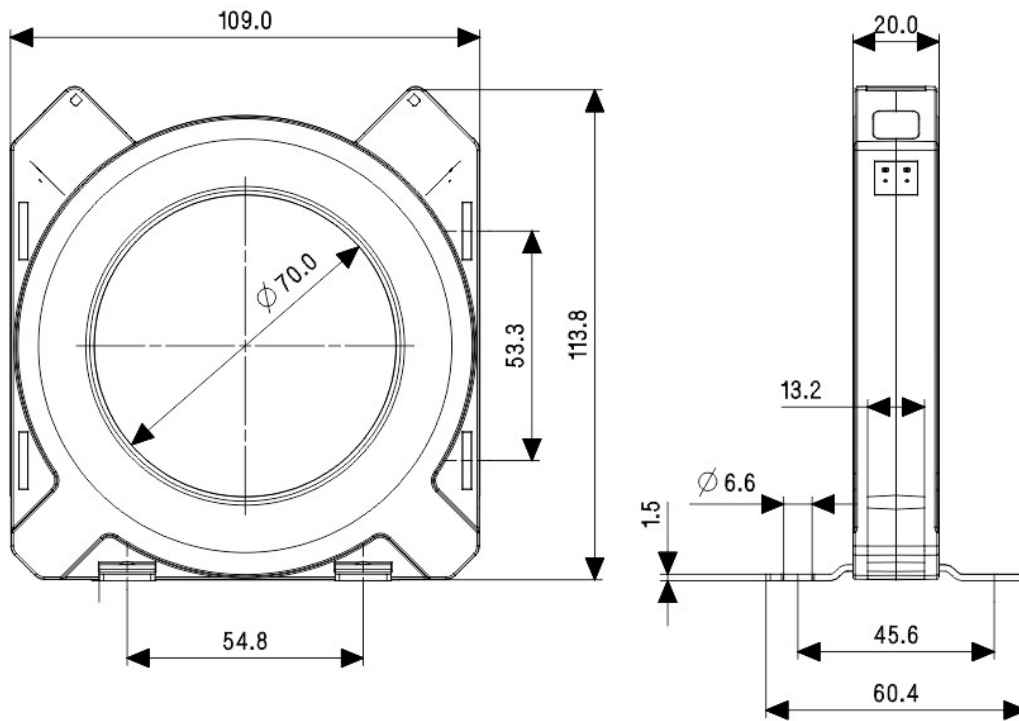
Omega CBCT 57



Ordering Code

CB09-0101000000ST	S CBCT 57/97/20 30MA-30A 600:1
-------------------	--------------------------------

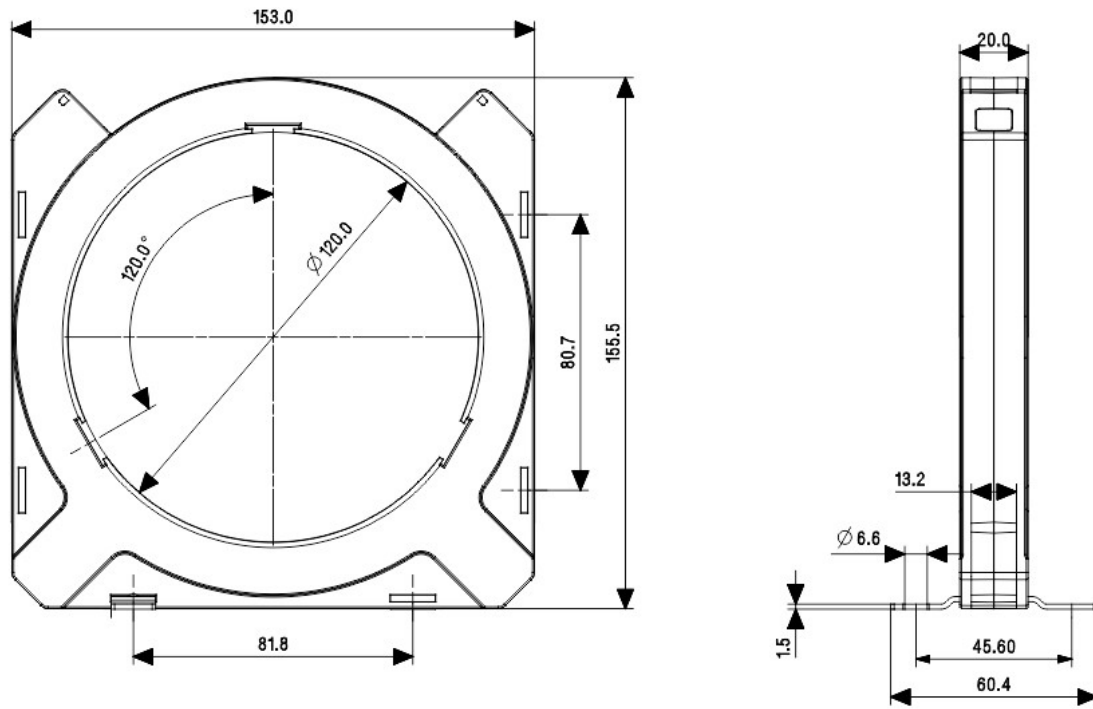
Omega CBCT 70



Ordering Code

CB10-0101000000ST | S CBCT 70/109/20 30MA-30A 600:1

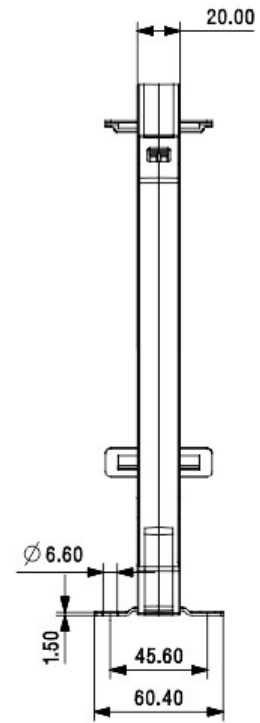
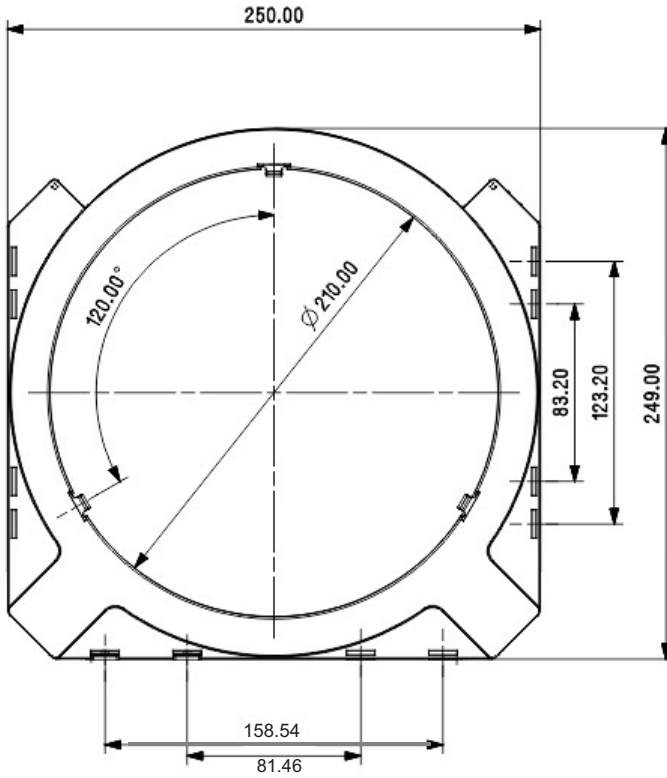
Omega CBCT 120



Ordering Code

CB11-0101000000ST | S CBCT 120/153/20 30MA-30A 600:1

Omega CBCT 210



Ordering Code

CB12-0101000000ST	S CBCT 210/250/20 30MA-30A 600:1
-------------------	----------------------------------



Sifam Tinsley Instrumentation Inc.  
 2105, Barrett Park Dr. Unit 105.  
 Kennesaw, GA 30144, USA  
 E-mail Id : [psk@sifamtinsley.com](mailto:psk@sifamtinsley.com)  
[info@sifamtinsley.com](mailto:info@sifamtinsley.com)  
 Web : [www.sifamtinsley.com](http://www.sifamtinsley.com)  
 Contact No. : +1 404 736 4903