

# Vintage Fast Response Meters

## Comparison of full specification PPM meters and Fast Response Vintage range.

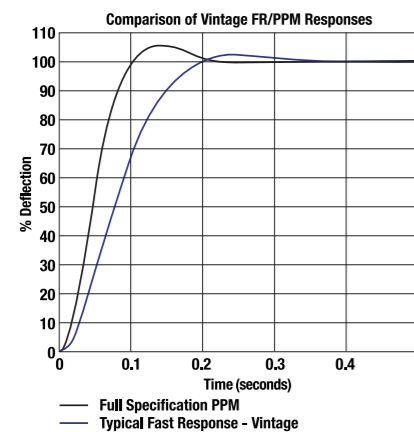
A dc milliammeter offering a performance close to that of full specification PPM meters to IEC 268-10.

The general meter build conforms to relevant parts of BS89, EN 60 051 and IEC 51.

The response curves below give a comparison of the full specification PPM meters with that of a typical FR19R meter. A variation in overswing will occur from the nominal responses shown, as unlike the full specification PPM indicator where each meter is individually adjusted for ballistics, these fall within normal process parameters. In each case the FSD is 1mA. For the FR Vintage range the terminal resistance is  $465\Omega \pm 15\%$  whereas for the PPM meter it is  $600\Omega \pm 5\%$ .



Vintage FR20SQ



## Pointers and dials

The combination of tube pointer and conventional arc scale in white on a black dial results in an easily read meter. A white dial can be specified if required. The standard scale is based on the standard 1 to 7 PPM layout.

## Zero adjuster

Positioned on the rear as standard.

## Operating Temperature

-25°C to +55°C.

## Terminals

FR19R - 6mm tabs are supplied as standard but threaded studs or flying leads are available.

FR20 - Flying leads 125mm/5" long are standard but 6mm tabs are available.

FR20SQ - Flying leads 125mm/5" long are standard but 6mm tabs are available.



## Key Features

- Three distinctive styles
- High quality modular construction
- Taut band core magnet movements

# Vintage Fast Response Meters

## Types FR19R, FR20, FR20SQ

The Vintage style Fast Response meter has been introduced by Sifam to meet the demand for more classically styled meters seen on many traditional consoles and rack mounted units. With distinctive 'retro' styling and contemporary construction, Vintage FR offers a performance close to that of full specification PPM meters to meet today's broadcast market requirement at affordable prices.

This range of Fast Response (FR) analogue meters complements the Audio Level (AL) and Industrial meters available in the same distinctive styling.

## Features and Benefits

- Distinctive 'retro' styling with contemporary construction
- 1-7 PPM style scale
- Taut band core magnet movement incorporated as standard
- Rugged movements for portable or fixed audio applications
- No calibration effect when mounted on a ferrous panel
- High performance at affordable price
- Illumination options

## Type FR19R

Rectangular 46.3 x 42.3mm bezel

- Front panel mount with full bezel, rear panel stud fixings
- Suitable for 1U rack mounted applications
- Constructed with transparent acrylic front and high impact rear body moulding. Bezel moulded in black ABS
- Internal LED illumination option

## Type FR20

Circular, 55.6mm dia. bezel, suitable for rear panel clamp mounting

- Constructed with gloss black phenolic moulded front with glass window and high impact translucent rear body moulding
- Rear 'festoon' or internal LED illumination options

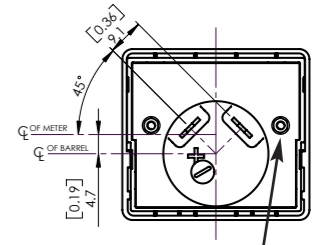
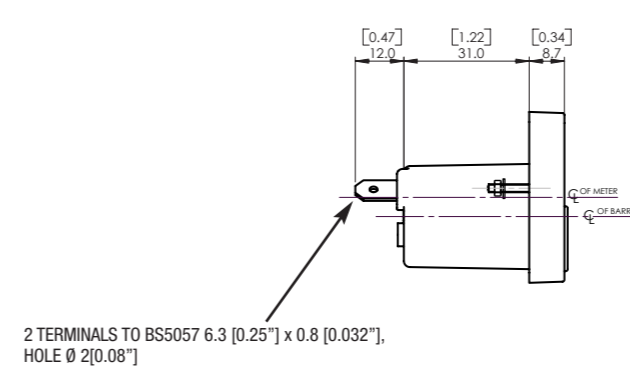
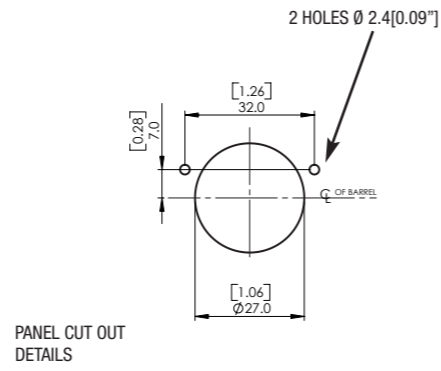
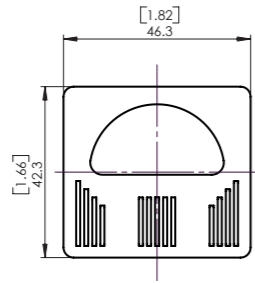
## Type FR20SQ

Square 57.1mm bezel, front panel mount with four fixing holes

- Constructed with gloss black phenolic moulded front with glass window and high impact translucent rear body moulding
- Rear 'festoon' or internal LED illumination options

Vintage Fast Response Meters

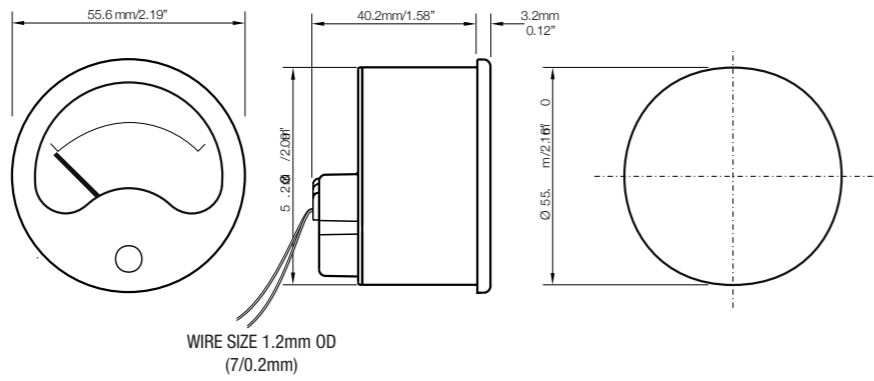
## Type FR19R



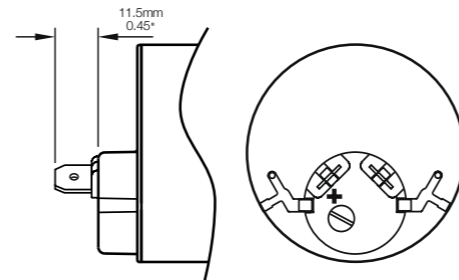
2 FIXING STUDS M2 x 11mm [0.43"] LONG

NOTE: MAX PANEL THICKNESS 6mm [0.24"]

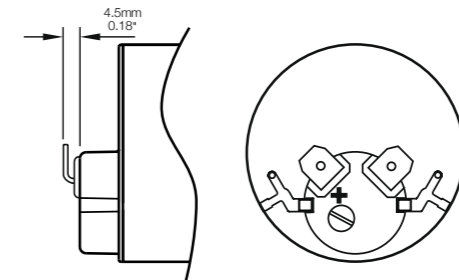
## Type FR20



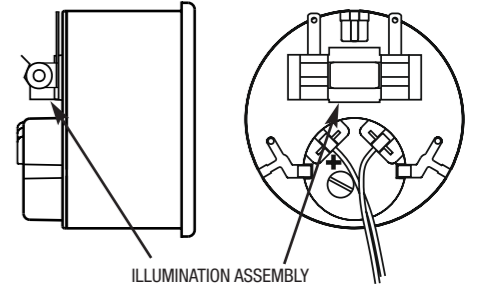
STRAIGHT TABS OPTION



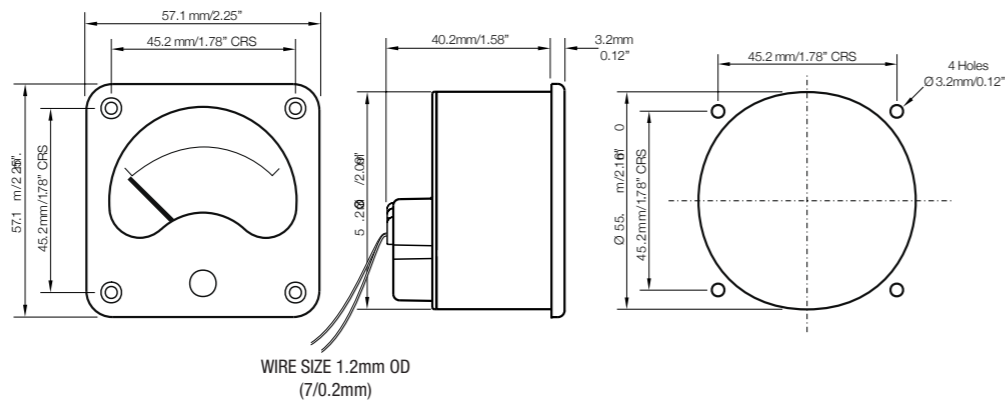
BENT TABS OPTION



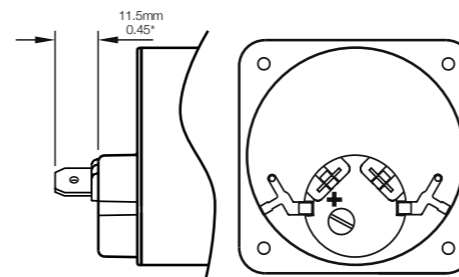
This is available as a rear mounted factory fitted option. The unit contains a Ø 6mm 'festoon' style lamp available in 6V, 12V or 24V. Please contact the sales office for more information.



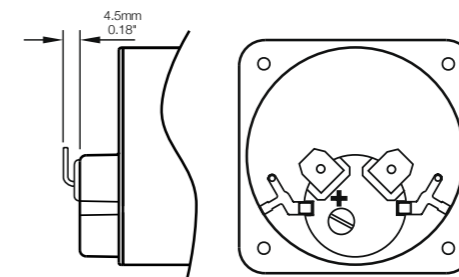
## Type FR20SQ



STRAIGHT TABS OPTION



BENT TABS OPTION



This is available as a rear mounted factory fitted option. The unit contains a Ø 6mm 'festoon' style lamp available in 6V, 12V or 24V. Please contact the sales office for more information.

