

# TRANSFORMER SERIES : Omega 30



## Operating Manual

### Low Voltage-Current Transformer -

- Omega 30 Series



### Indication

Before initial operation we ask you to pay full attention to these assembling instructions in order to guarantee the reliability and to ensure the performance of the device.

### Functional description

Current transformers of the model range Omega are inductive single conductor-current transformers operating according to the transformer principle. Due to the applied measuring principle, current transformers of this type may only be installed in alternating current (AC) networks.

### Safety instructions



In order to avoid personal and material damage the following assembling steps must be performed only by authorised, qualified and trained personnel.



If the secondary circuit is operated without a burden/load (open) high voltages may appear. These voltage values are dangerous for persons as well as for the functional reliability of the current transformer.

**It is forbidden to operate the current transformer without a secondary circuit (open)!**

### Technical parameters

Primary current:	30A to 4000A
Secondary current:	5A
Accuracy class:	(Standard) 0.3, 0.6, 1.2 (Non Standard) 1, 2, 3, 2.4, 4.8
Continuous thermal rating factor:	0.6, 0.8, 1, 1.2, 1.33, 1.5, 2
Rated frequency:	60Hz
Rated continuous thermal current (standard):	1,0 x I <sub>n</sub>
Rated short time thermal current I <sub>th</sub> :	60 x I <sub>n</sub> , 1 s (Max 40kA)
Basic insulation level:	10kV
Place of installation:	Indoor
Altitude:	up to 2000 m
Ambient temperature:	-30°C to +55°C
Applied standards:	IEEE C57.13

## Assembly

1. Ensure a safe work environment during assembly, maintenance and inspection operations. If necessary interrupt the current supply of the primary conductor and take precautions against unintentional switching.

(i) For Window type CT : Bar or cable primary insert through primary cable or bus bar & fix it using mounting screw

H1-H2 : Direction of input power supply

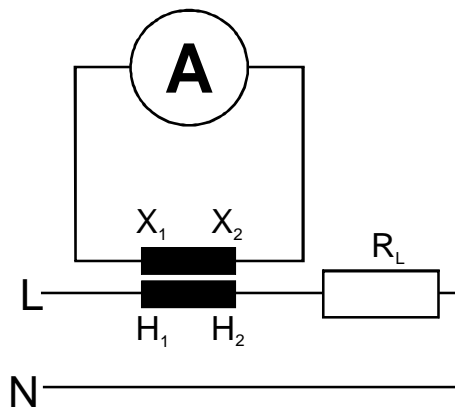
X1-X2 : Direction of output power

2. Connect the secondary wires of the current transformer to the measuring device (ampere meter, energy meter). Pay attention to the installation guide of the measuring device.

3. If necessary, start the current supply again.

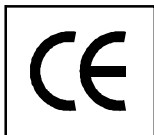
4. Check whether the current transformer is assembled correctly and the secondary leads are connected properly.

## Wiring diagram



## Environmental instruction

When the product has reached it's "end of life", it must be recycled. Pass it to an electrical waste disposal. Do not dispose as unsorted municipal waste!



This product was developed and manufactured in accordance with the applicable regulations (IEEE C57.13) and meets the requirements of the low voltage guideline 2006/95/EG

Subject to change without notice!

2-60-006-00-00592\_Rev. A\_01/2015



**Sifam Tinsley Instrumentation**  
3105, Creekside Village Drive,  
Suite No 801, Kennesaw,  
Georgia 30144  
Contact Number: +1.404.736.4903  
Web: www.sifamtinsley.com

**Sifam Tinsley Instrumentation Ltd.**  
Central Buildings, Woodland Close,  
Old Woods Trading Estate,  
Torquay, Devon, England, TQ27BB  
Website: www.sifamtinsley.com/uk  
Contact Number: +44(O) 1803 615139  
E-mail: info@tinsley.co.uk