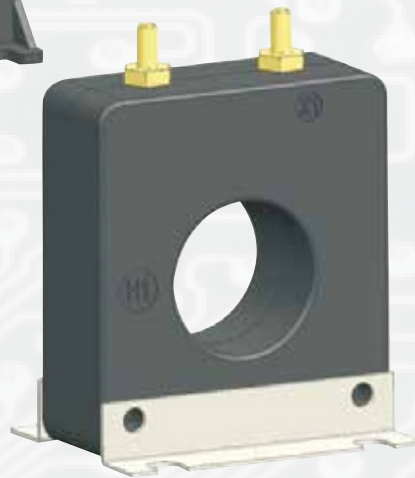




Technical Data Sheet

Omega ANSI Current Transformer Series



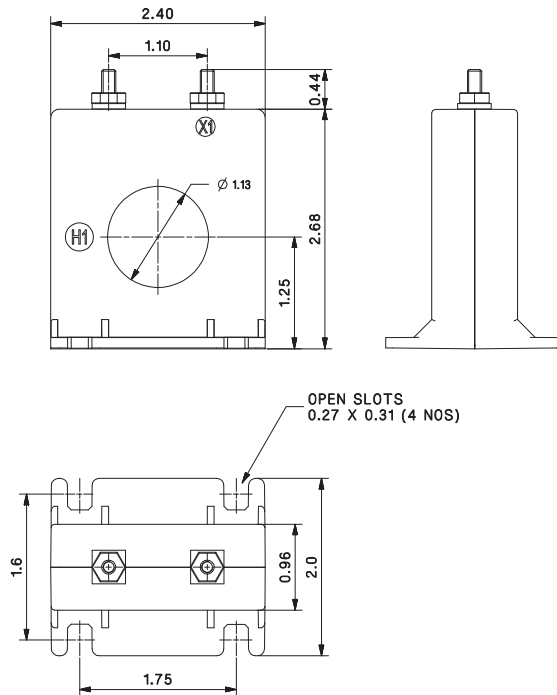
*Omega 30
Model 2*

Omega 30 Series

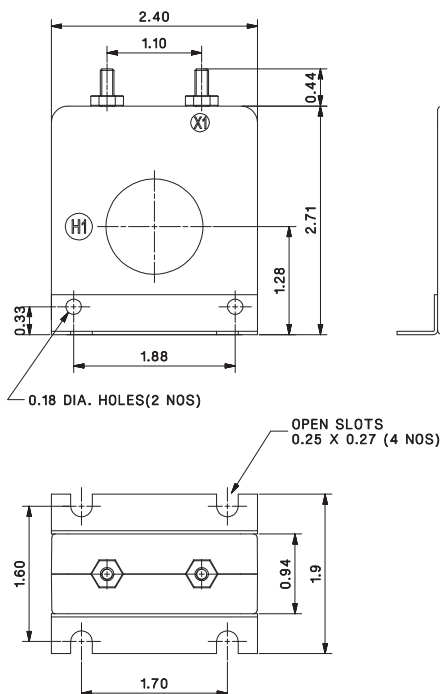
Omega 30A

Omega 30A 2SFT, 2SHT & 2RL Series

Omega 30A 2SFT



Omega 30A 2SHT



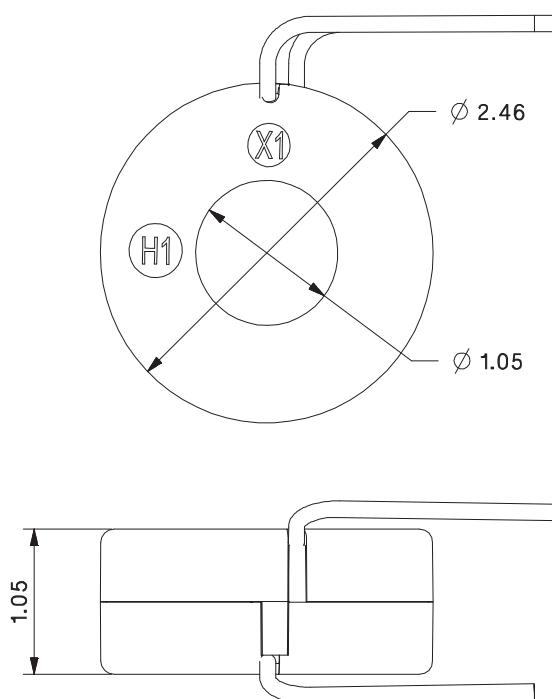
ALL DIMENSIONS ARE IN INCHES

Omega 30 Series

Omega 30A

Omega 30A 2SFT, 2SHT & 2RL Series

Omega 30A 2RL



2SFT, 2SHT & 2RL

Current Ratio	Class	VA
50	± 3%	1.5
60	± 3%	2.0
75	± 2%	2.0
80	± 2%	2.0
100	± 1%	2.0
120	± 1%	2.5
125	± 1%	2.5
150	± 1%	4.0
200	± 1%	4.0
250	± 1%	6.0
300	± 1%	8.0

Used for ammeter only
Approx. weight 0.5lbs

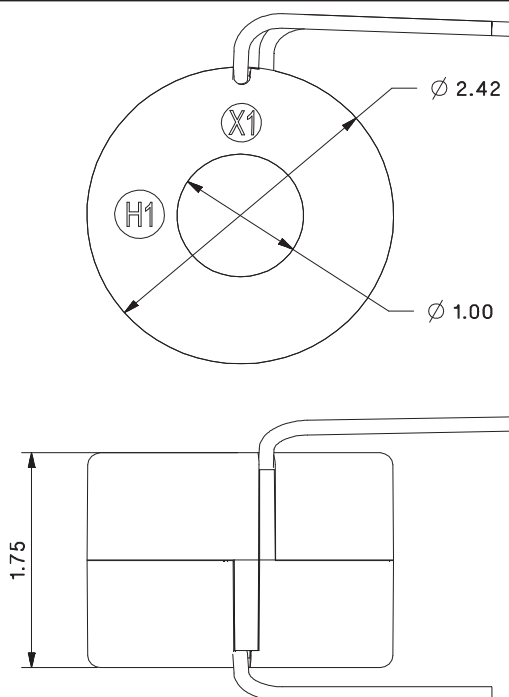
ALL DIMENSIONS ARE IN INCHES

Omega 30 Series

Omega 30A

Omega 30A 2DRL

Omega 30A 2DRL



2DRL

Current Ratio	Class	VA
50	± 2%	1.5
60	± 2%	2.0
75	± 2%	3.0
80	± 2%	4.0
100	± 1%	5.0
120	± 1%	5.0
125	± 1%	5.0
150	± 1%	8.0
200	± 1%	10
250	± 1%	12.5
300	± 1%	15

Used for ammeter only
Approx. weight 0.5lbs

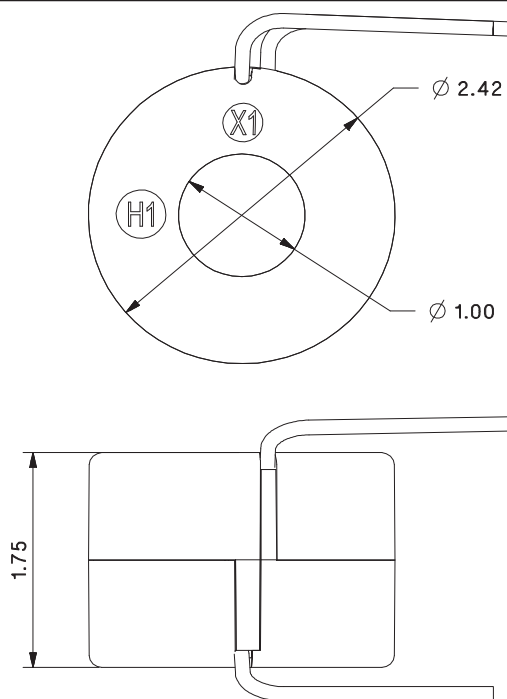
ALL DIMENSIONS ARE IN INCHES

Omega 30 Series

Omega 30A

Omega 30A 2DARL

Omega 30A 2ADRL



2DARL

Current Ratio	VA @ ±1% Class	ANSI METERING CLASS		
		B0.1	B0.2	B0.5
50	2% 2.5	4.8	-	-
60	2.5	1.2	-	-
75	3.5	1.2	2.4	-
80	4.0	1.2	2.4	-
100	5.0	1.2	2.4	-
120	5.0	1.2	2.4	-
125	5.0	0.6	1.2	-
150	10	0.6	0.6	-
200	12.5	0.3	0.6	1.2
250	15	0.3	0.3	0.6
300	20	0.3	0.3	0.6

Used for ammeter, Wattmeters & cross current compensation
Approx. weight 0.5lbs

ALL DIMENSIONS ARE IN INCHES

Omega ANSI Current Transformer Series

Omega 30

Specifications

- Applicable Standard : ANSI/IEEE C57.13
- Case : 10% glass filled polycarbonate, flame retardant grades classified UL 94V-0.
- Frequency : 50-400 Hz.
- Insulation Level : 10KV BIL full wave.
- Flexible leads are UL 1015, 105°C 16AWG.
- Non-standard length to be specified.
- For all the SHT & SFT types terminals are brass studs No. 8-32 with one flat washer, lock washer & regular nut
- All the SHT & SFT models also available as SHL & SFL with leads
- For all the SHT types- mounting bracket kit can be provided when required

Application

- Use for measurement purposes in conjunction with ammeters, wattmeters, etc.
- Also applicable for cross current compensation.



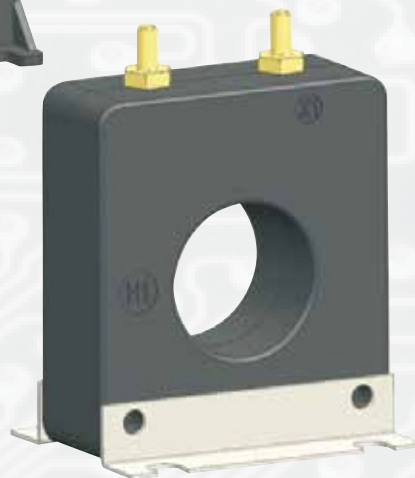
Sifam Tinsley Instrumentation Inc.
3105 Creekside Village Dr,
Suite 801,
Kennesaw GA 30144
Contact Number: +1.404.736.4903
Web: www.sifamtinsley.com

Sifam Tinsley Instrumentation Ltd.
Central Buildings, Woodland Close,
Old Woods Trading Estate,
Torquay, Devon, England, TQ27BB
Contact Number: +44 (0) 1803 615139
Web: www.sifamtinsley.com/uk



Technical Data Sheet

Omega ANSI Current Transformer Series



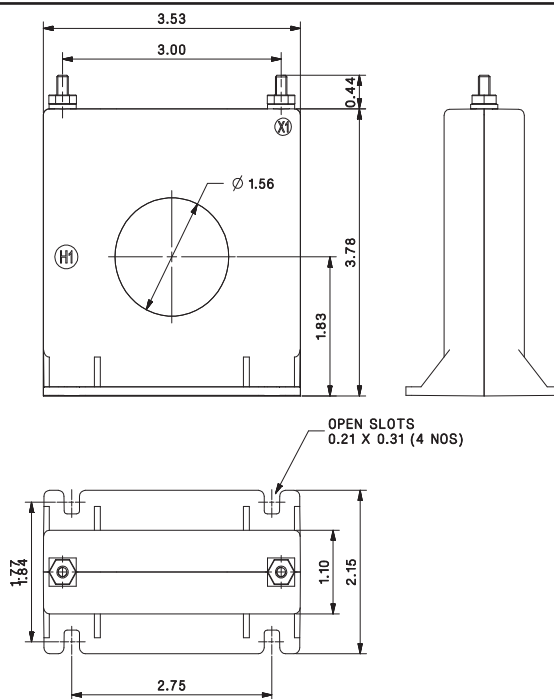
*Omega 30
Model 5*

Omega 30 Series

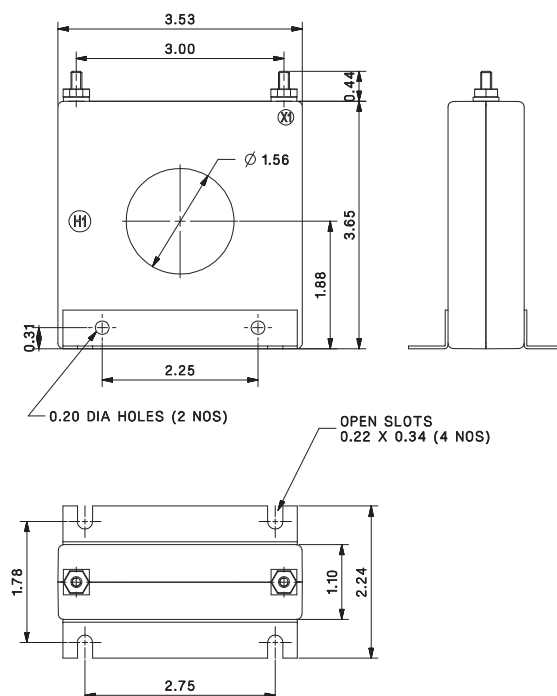
Omega 30B

Omega 30B 5SFT, 5SHT & 5RL Series

Omega 30B 5SFT



Omega 30B 5SHT



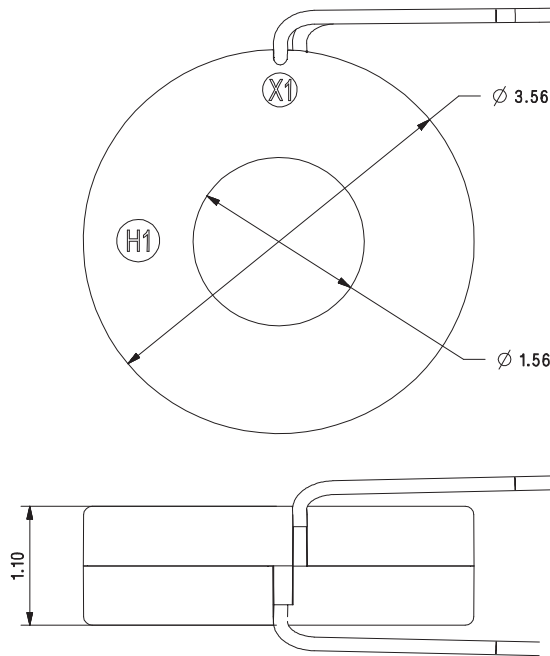
ALL DIMENSIONS ARE IN INCHES

Omega 30 Series

Omega 30B

Omega 30B 5SFT, 5SHT & 5RL Series

Omega 30B 5RL



5SFT, 5SHT & 5RL

Current Ratio	Class	VA
50	± 2%	1.0
75	± 2%	1.5
100	± 2%	2.0
150	± 1%	5.0
200	± 1%	5.0
250	± 1%	10
300	± 1%	12.5
400	± 1%	12.5
500	± 1%	20
600	± 1%	25
750	± 1%	25
800	± 1%	25
1000	± 1%	25
1200	± 1%	30.5

Used for ammeter, Wattmeters & cross current compensation
Approx. weight 1 lbs

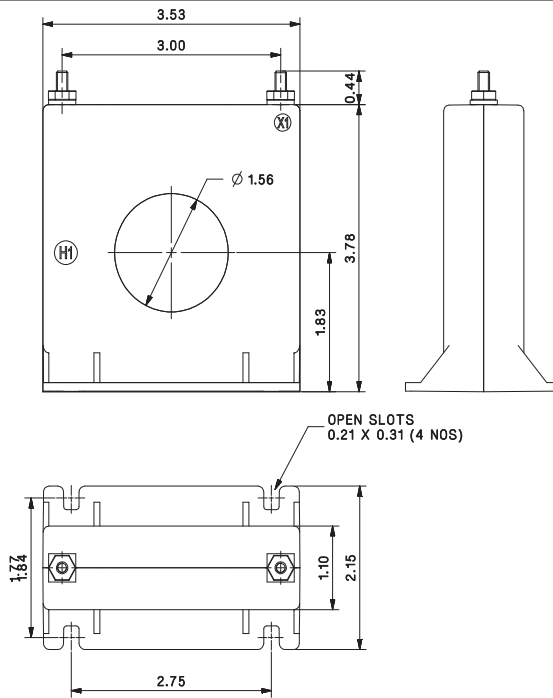
ALL DIMENSIONS ARE IN INCHES

Omega 30 Series

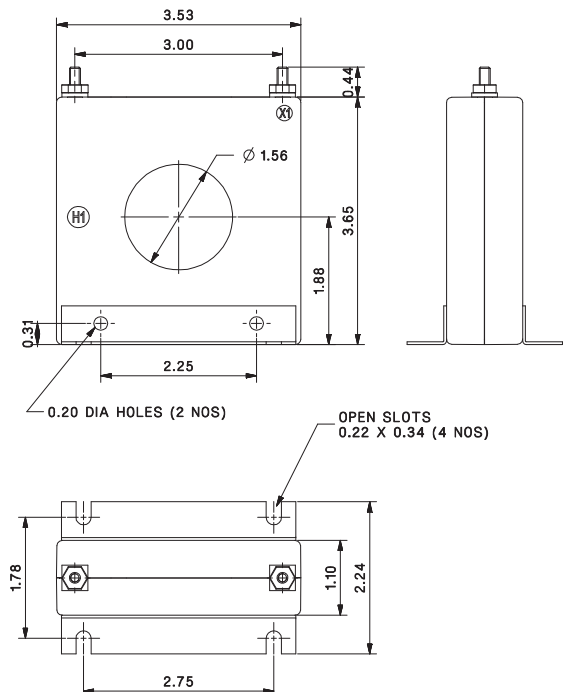
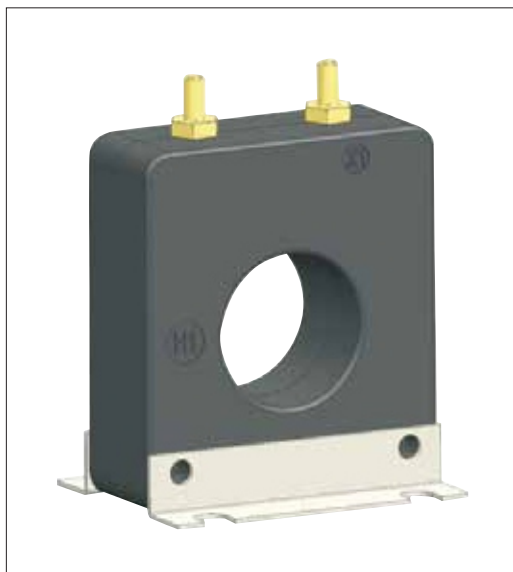
Omega 30B

Omega 30B 5ASFT, 5ASHT & 5ARL Series

Omega 30B 5ASFT



Omega 30B 5ASHT



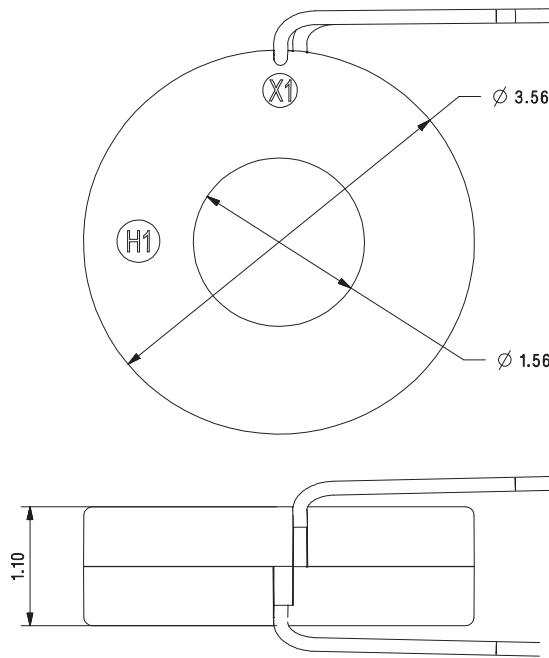
ALL DIMENSIONS ARE IN INCHES

Omega 30 Series

Omega 30B

Omega 30B 5ASFT, 5ASHT & 5ARL Series

Omega 30B 5ARL



5ASFT, 5ASHT & 5ARL

Current Ratio	VA @ ±1% Class	ANSI METERING CLASS					Cont. Thermal RF	
		B0.1	B0.2	B0.5	B0.9	B1.8	@30	@55
50	1.0	4.8	-	-	-	-	2.0	2.0
75	1.0	2.4	4.8	-	-	-	2.0	2.0
100	1.0	1.2	2.4	-	-	-	2.0	2.0
150	5.0	0.6	1.2	2.4	4.8	-	2.0	2.0
200	5.0	0.6	0.6	1.2	2.4	4.8	2.0	2.0
250	12.5	0.6	0.6	1.2	2.4	2.4	2.0	1.5
300	15	0.3	0.3	0.6	1.2	2.4	2.0	1.5
400	20	0.3	0.3	0.6	1.2	1.2	1.5	1.0
500	25	0.3	0.3	0.6	0.6	1.2	1.33	0.8
600	30	0.3	0.3	0.6	0.6	1.2	1.0	0.8
750	30	0.3	0.3	0.6	0.6	0.6	1.0	0.8
800	30	0.3	0.3	0.6	0.6	0.6	1.0	0.8
1000	35	0.3	0.3	0.3	0.6	0.6	1.0	0.8
1200	40	0.3	0.3	0.3	0.3	0.6	1.0	0.6

Used for ammeter & Wattmeters Approx. weight 1 lbs

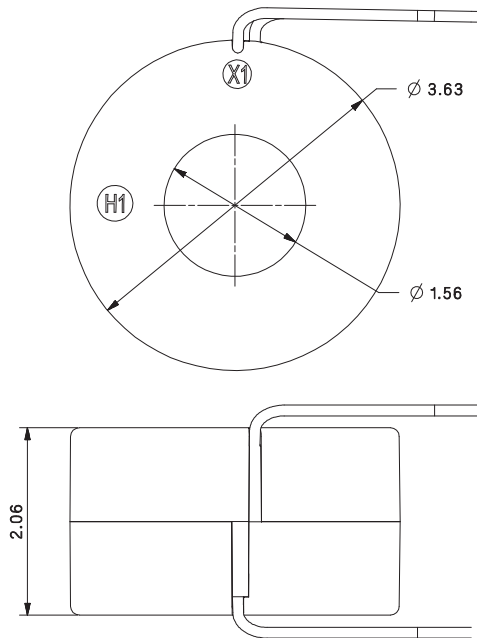
ALL DIMENSIONS ARE IN INCHES

Omega 30 Series

Omega 30B

Omega 30B 5DRL

Omega 30B 5DRL



5DRL

Current Ratio	Class	VA
50	± 2%	2.5
60	± 1%	2.5
75	± 1%	3.5
100	± 1%	5.0
150	± 1%	10
200	± 1%	12.5
250	± 1%	20
300	± 1%	25
400	± 1%	40
500	± 1%	50
600	± 1%	60
750	± 1%	60
800	± 1%	60
1000	± 1%	75
1200	± 1%	90

Used for ammeter, Wattmeters & cross current compensation
Approx. weight 2 lbs

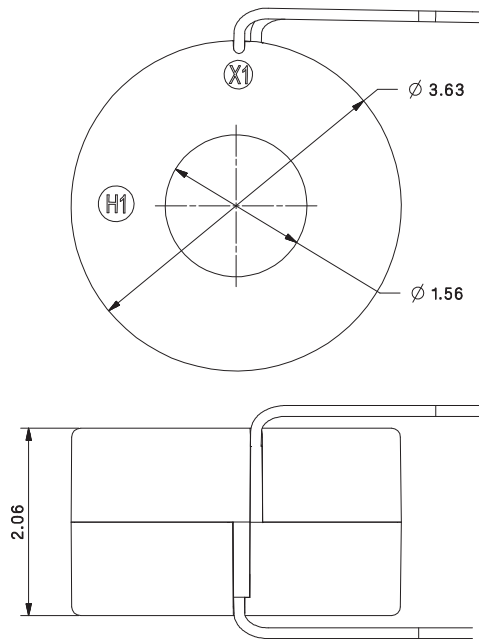
ALL DIMENSIONS ARE IN INCHES

Omega 30 Series

Omega 30B

Omega 30B 5DARL

Omega 30B 5DARL



5DARL

Current Ratio	VA @ ±1% Class	ANSI METERING CLASS					Cont. Thermal RF	
		B0.1	B0.2	B0.5	B0.9	B1.8	@30	@55
50	±1% 2.5	2.4	-	-	-	-	2.0	2.0
60	2.5	1.2	4.8	-	-	-	2.0	2.0
75	3.5	1.2	2.4	-	-	-	2.0	2.0
80	4.0	1.2	2.4	4.8	-	-	2.0	2.0
100	5.0	0.6	1.2	4.8	4.8	-	2.0	2.0
120	7.5	0.6	0.6	2.4	4.8	-	2.0	2.0
125	7.5	0.6	0.6	2.4	4.8	4.8	2.0	2.0
150	10	0.6	0.6	1.2	2.4	4.8	2.0	2.0
200	12.5	0.6	0.6	0.6	1.2	2.4	2.0	1.5
250	20	0.3	0.3	0.6	1.2	2.4	2.0	1.5
300	25	0.3	0.3	0.6	1.2	1.2	1.5	1.33
400	40	0.3	0.3	0.3	0.6	1.2	1.5	1.0
500	50	0.3	0.3	0.3	0.3	0.6	1.5	1.0
600	60	0.3	0.3	0.3	0.3	0.6	1.0	0.8
750	75	0.3	0.3	0.3	0.3	0.6	1.33	1.0
800	80	0.3	0.3	0.3	0.3	0.3	1.33	1.0
1000	90	0.3	0.3	0.3	0.3	0.3	1.0	0.8

Used for ammeter, Wattmeters & cross current compensation

Approx. weight 2 lbs

ALL DIMENSIONS ARE IN INCHES

Omega ANSI Current Transformer Series

Omega 30

Specifications

- Applicable Standard : ANSI/IEEE C57.13
- Case : 10% glass filled polycarbonate, flame retardant grades classified UL 94V-0.
- Frequency : 50-400 Hz.
- Insulation Level : 10KV BIL full wave.
- Flexible leads are UL 1015, 105°C 16AWG.
- Non-standard length to be specified.
- For all the SHT & SFT types terminals are brass studs No. 8-32 with one flat washer, lock washer & regular nut
- All the SHT & SFT models also available as SHL & SFL with leads
- For all the SHT types- mounting bracket kit can be provided when required

Application

- Use for measurement purposes in conjunction with ammeters, wattmeters, etc.
- Also applicable for cross current compensation.



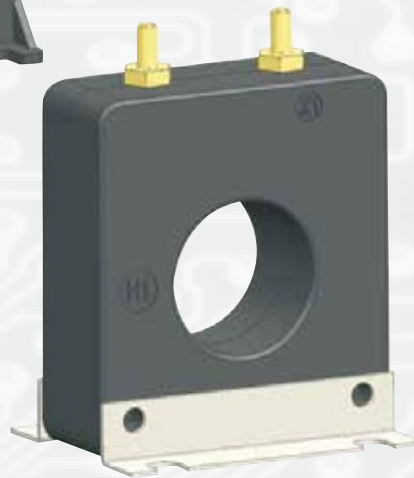
Sifam Tinsley Instrumentation Inc.
3105 Creekside Village Dr,
Suite 801,
Kennesaw GA 30144
Contact Number: +1.404.736.4903
Web: www.sifamtinsley.com

Sifam Tinsley Instrumentation Ltd.
Central Buildings, Woodland Close,
Old Woods Trading Estate,
Torquay, Devon, England, TQ27BB
Contact Number: +44 (0) 1803 615139
Web: www.sifamtinsley.com/uk



Technical Data Sheet

Omega ANSI Current Transformer Series



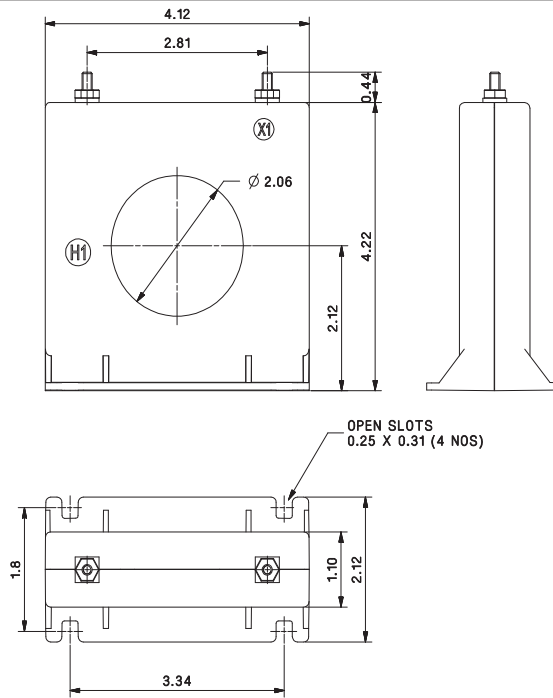
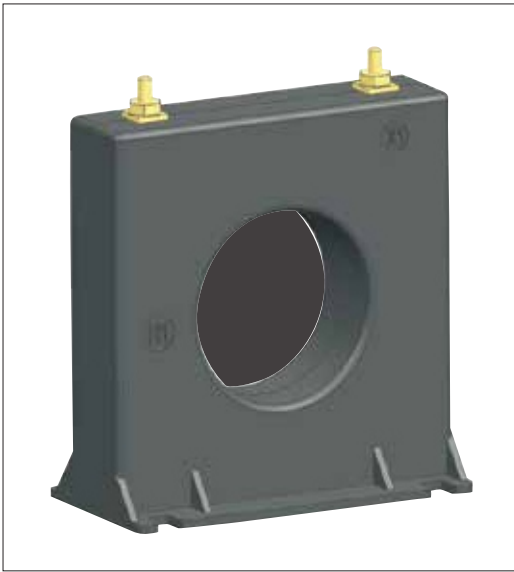
*Omega 30
Model 6*

Omega 30 Series

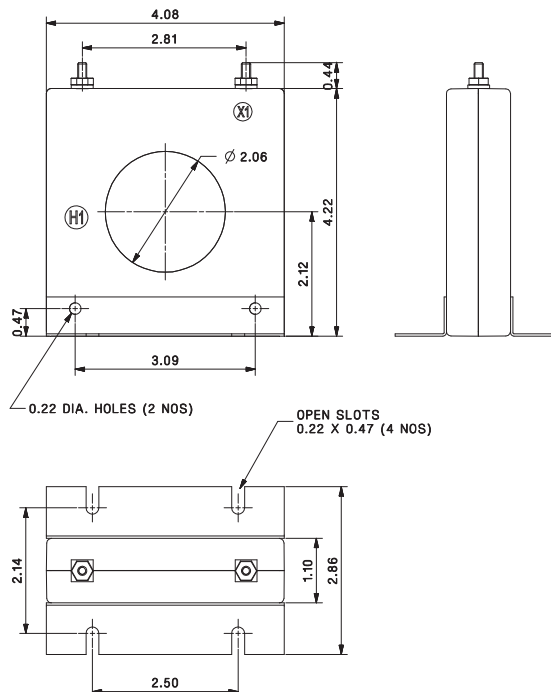
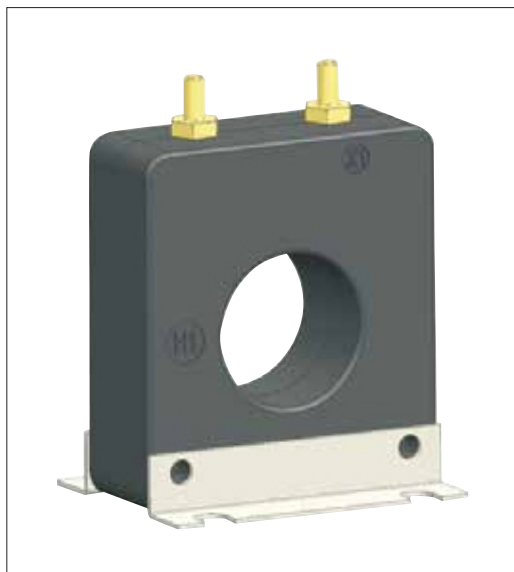
Omega 30C

Omega 30C 6SFT, 6SHT & 6RL Series

Omega 30C 6SFT



Omega 30C 6SHT



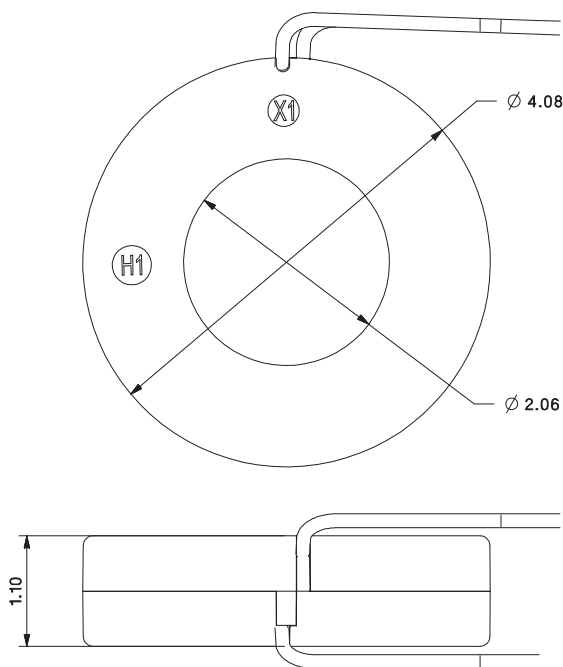
ALL DIMENSIONS ARE IN INCHES

Omega 30 Series

Omega 30C

Omega 30C 6SFT, 6SHT & 6RL Series

Omega 30C 6RL



6SFT, 6 SHT & 6RL

Current Ratio	Class	VA
100	± 2%	2.0
150	± 1%	5.0
200	± 1%	5.0
250	± 1%	7.5
300	± 1%	12.5
400	± 1%	15
500	± 1%	25
600	± 1%	30
750	± 1%	25
800	± 1%	25
1000	± 1%	35
1200	± 1%	40
1500	± 1%	50

Used for ammeter, Wattmeters & cross current compensation
Approx. weight 1.2 lbs

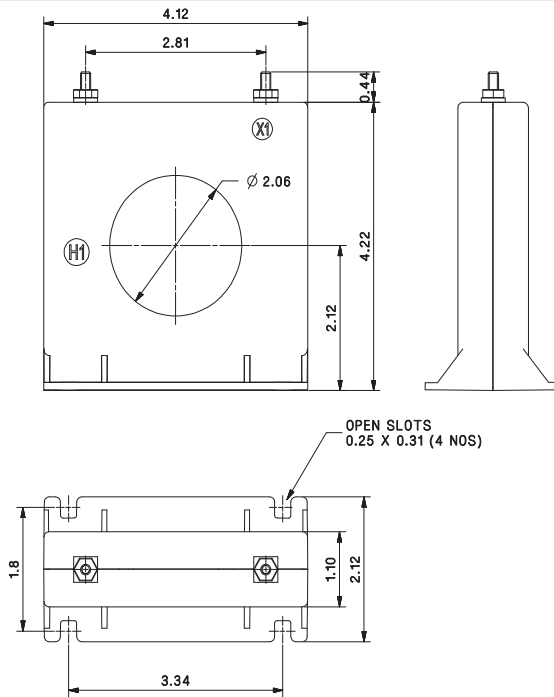
ALL DIMENSIONS ARE IN INCHES

Omega 30 Series

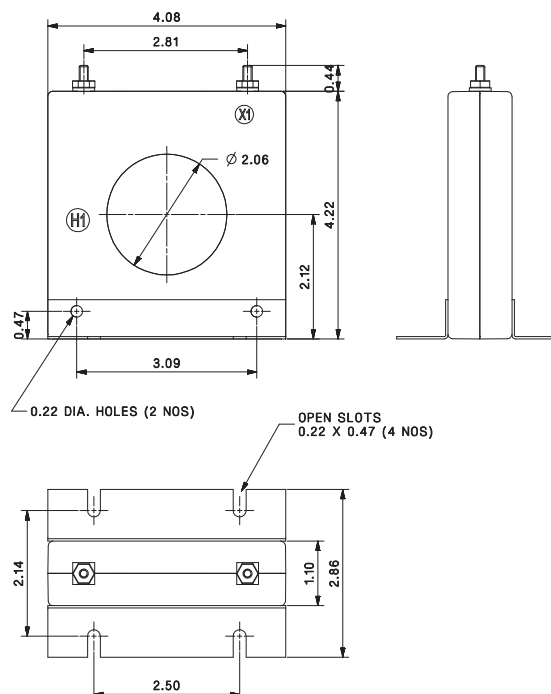
Omega 30C

Omega 30C 6ASFT, 6ASHT & 6ARL Series

Omega 30C 6ASFT



Omega 30C 6ASHT



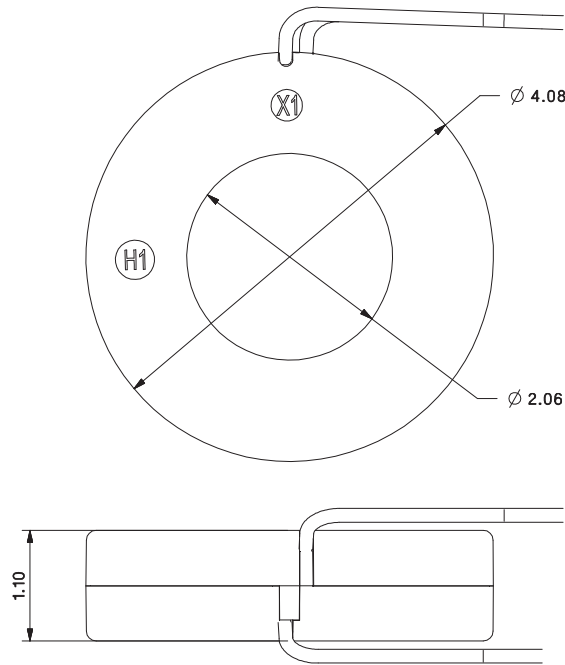
ALL DIMENSIONS ARE IN INCHES

Omega 30 Series

Omega 30C

Omega 30C 6ASFT, 6ASHT & 6ARL Series

Omega 30C 6ARL



6ASFT, 6ASHT & 6ARL

Current Ratio	VA @ ±1% Class	ANSI METERING CLASS					Cont. Thermak RF	
		B0.1	B0.2	B0.5	B0.9	B1.8	@30	@55
100	1.0	1.2	2.4	-	-	-	2.0	2.0
150	5.0	1.2	1.2	4.8	4.8	-	2.0	2.0
200	5.0	0.6	1.2	2.4	4.8	-	2.0	2.0
250	7.5	0.3	0.6	2.4	2.4	4.8	2.0	1.5
300	12.5	0.3	0.6	1.2	2.4	2.4	2.0	1.5
400	15	0.3	0.3	0.6	1.2	2.4	1.5	1.33
500	25	0.3	0.3	0.6	1.2	2.4	1.5	1.0
600	30	0.3	0.3	0.6	0.6	1.2	1.33	1.0
750	30	0.3	0.3	0.6	0.6	1.2	1.25	1.0
800	35	0.3	0.3	0.6	0.6	0.6	1.25	0.8
1000	35	0.3	0.3	0.3	0.6	0.6	1.0	0.8
1200	40	0.3	0.3	0.3	0.3	0.6	1.0	0.8
1500	50	0.3	0.3	0.3	0.3	0.6	1.0	0.8

Used for ammeter and Wattmeters

Approx. weight 1.25 lbs

ALL DIMENSIONS ARE IN INCHES

Omega ANSI Current Transformer Series

Omega 30

Specifications

- Applicable Standard : ANSI/IEEE C57.13
- Case : 10% glass filled polycarbonate, flame retardant grades classified UL 94V-0.
- Frequency : 50-400 Hz.
- Insulation Level : 10KV BIL full wave.
- Flexible leads are UL 1015, 105°C 16AWG.
- Non-standard length to be specified.
- For all the SHT & SFT types terminals are brass studs No. 8-32 with one flat washer, lock washer & regular nut
- All the SHT & SFT models also available as SHL & SFL with leads
- For all the SHT types- mounting bracket kit can be provided when required

Application

- Use for measurement purposes in conjunction with ammeters, wattmeters, etc.
- Also applicable for cross current compensation.



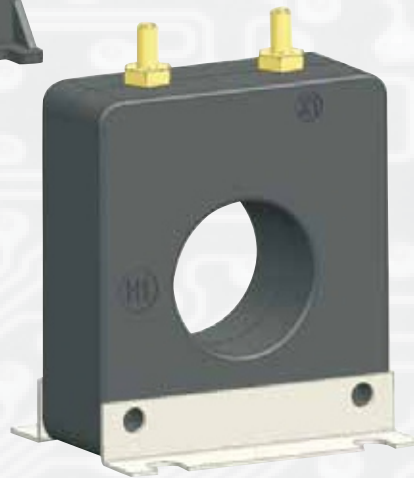
Sifam Tinsley Instrumentation Inc.
3105 Creekside Village Dr,
Suite 801,
Kennesaw GA 30144
Contact Number: +1.404.736.4903
Web: www.sifamtinsley.com

Sifam Tinsley Instrumentation Ltd.
Central Buildings, Woodland Close,
Old Woods Trading Estate,
Torquay, Devon, England, TQ27BB
Contact Number: +44 (0) 1803 615139
Web: www.sifamtinsley.com/uk



Technical Data Sheet

Omega ANSI Current Transformer Series



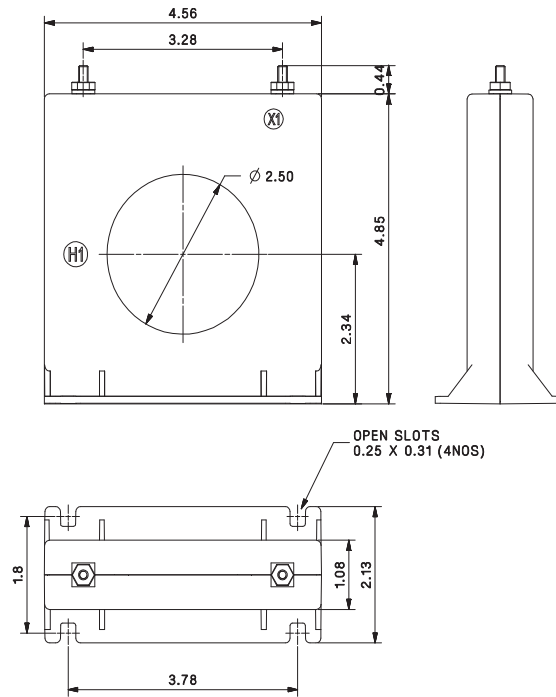
*Omega 30
Model 7*

Omega 30 Series

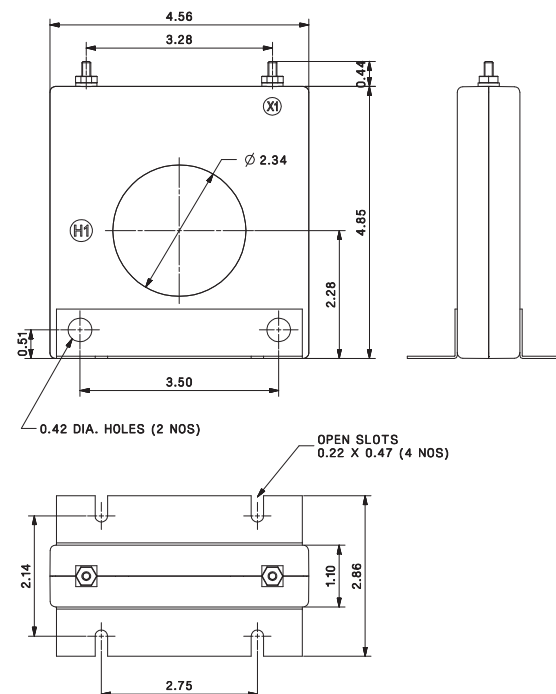
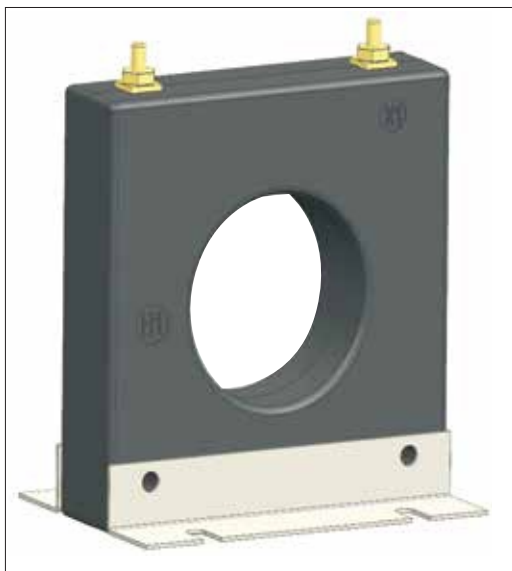
Omega 30D

Omega 30D 7SFT, 7SHT & 7RL Series

Omega 30D 7SFT



Omega 30D 7SHT



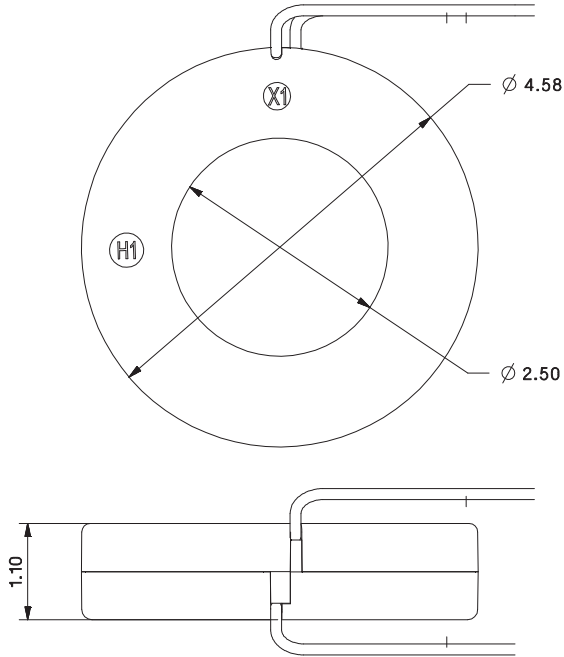
ALL DIMENSIONS ARE IN INCHES

Omega 30 Series

Omega 30D

Omega 30D 7SFT, 7SHT & 7RL Series

Omega 30D 7RL



7SFT, 7SHT & 7RL

Current Ratio	Class	VA
100	± 2%	2.5
150	± 1%	5.0
200	± 1%	5.0
250	± 1%	5.0
300	± 1%	12.5
400	± 1%	15
500	± 1%	25
600	± 1%	30
750	± 1%	30
800	± 1%	35
1000	± 1%	35
1200	± 1%	35
1500	± 1%	40
1600	± 1%	45

Used for ammeter, Wattmeters & cross current compensation
Approx. weight 1.5 lbs

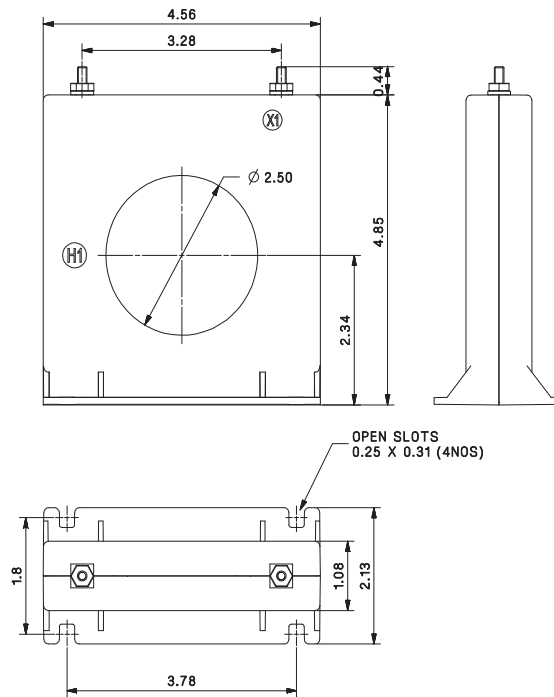
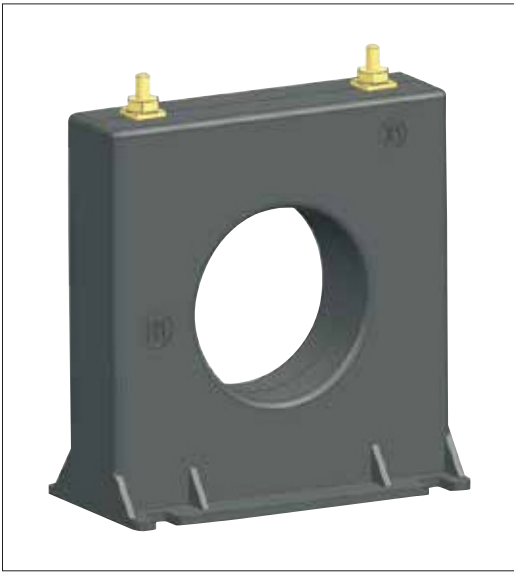
ALL DIMENSIONS ARE IN INCHES

Omega 30 Series

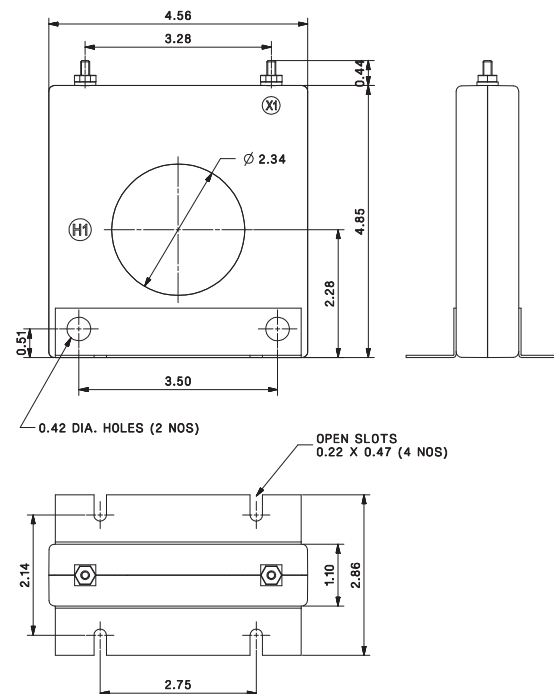
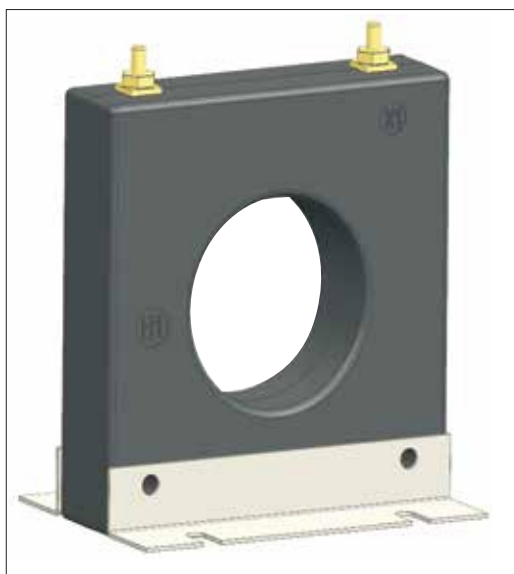
Omega 30D

Omega 30D 7ASFT, 7ASHT & 7ARL Series

Omega 30D 7ASFT



Omega 30D 7ASHT



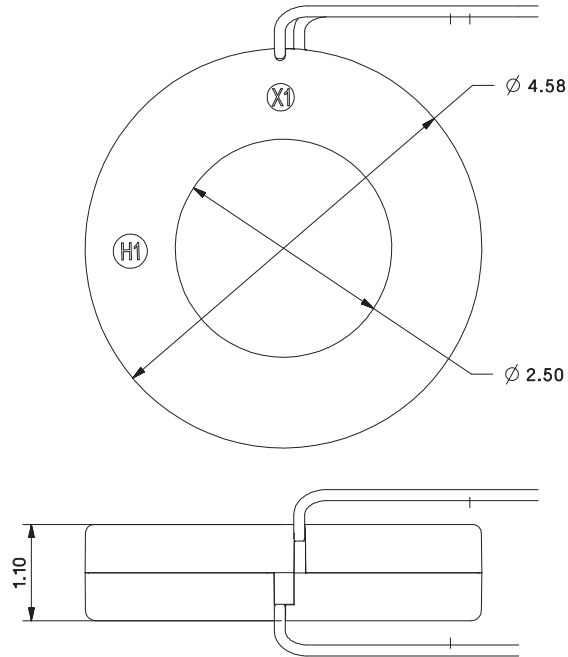
ALL DIMENSIONS ARE IN INCHES

Omega 30 Series

Omega 30D

Omega 30D 7ASFT, 7ASHT & 7ARL Series

Omega 30D 7ARL



7 ASFT, 7ASHT & 7ARL

Current Ratio	VA @ ±1% Class	ANSI METERING CLASS					Cont. Thermak RF	
		9d	B0.2	B0.5	B0.9	B1.8	@30	@55
100	1.0	2.4	4.8	-	-	-	2.0	2.0
150	2.5	1.2	2.4	4.8	4.8	-	2.0	2.0
200	5.0	0.6	1.2	2.4	4.8	4.8	2.0	2.0
250	7.5	0.3	0.6	1.2	2.4	4.8	2.0	2.0
300	12.5	0.3	0.6	1.2	2.4	2.4	2.0	1.5
400	15	0.3	0.3	0.6	1.2	2.4	2.0	1.5
500	25	0.3	0.3	0.6	1.2	1.2	1.5	1.0
600	30	0.3	0.3	0.6	0.6	1.2	1.5	1.0
750	30	0.3	0.3	0.3	0.6	0.6	1.33	1.0
800	35	0.3	0.3	0.3	0.6	0.6	1.33	1.0
1000	35	0.3	0.3	0.3	0.6	0.6	1.33	1.0
1200	40	0.3	0.3	0.3	0.3	0.6	1.0	1.0
1500	50	0.3	0.3	0.3	0.3	0.6	1.0	0.8
1600	50	0.3	0.3	1.0	0.8			

Used for ammeters and Wattmeters Approx. weight 1.25 lbs

ALL DIMENSIONS ARE IN INCHES

Omega ANSI Current Transformer Series

Omega 30

Specifications

- Applicable Standard : ANSI/IEEE C57.13
- Case : 10% glass filled polycarbonate, flame retardant grades classified UL 94V-0.
- Frequency : 50-400 Hz.
- Insulation Level : 10KV BIL full wave.
- Flexible leads are UL 1015, 105°C 16AWG.
- Non-standard length to be specified.
- For all the SHT & SFT types terminals are brass studs No. 8-32 with one flat washer, lock washer & regular nut
- All the SHT & SFT models also available as SHL & SFL with leads
- For all the SHT types- mounting bracket kit can be provided when required

Application

- Use for measurement purposes in conjunction with ammeters, wattmeters, etc.
- Also applicable for cross current compensation.



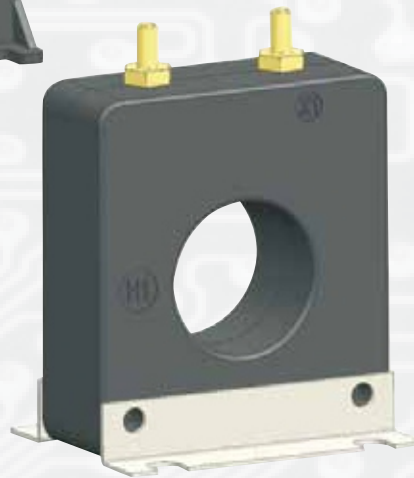
Sifam Tinsley Instrumentation Inc.
3105 Creekside Village Dr,
Suite 801,
Kennesaw GA 30144
Contact Number: +1.404.736.4903
Web: www.sifamtinsley.com

Sifam Tinsley Instrumentation Ltd.
Central Buildings, Woodland Close,
Old Woods Trading Estate,
Torquay, Devon, England, TQ27BB
Contact Number: +44 (0) 1803 615139
Web: www.sifamtinsley.com/uk



Technical Data Sheet

Omega ANSI Current Transformer Series



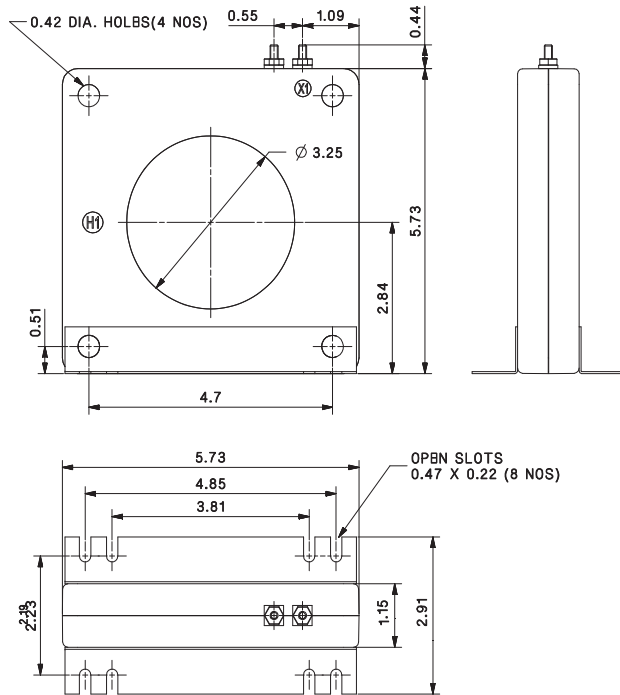
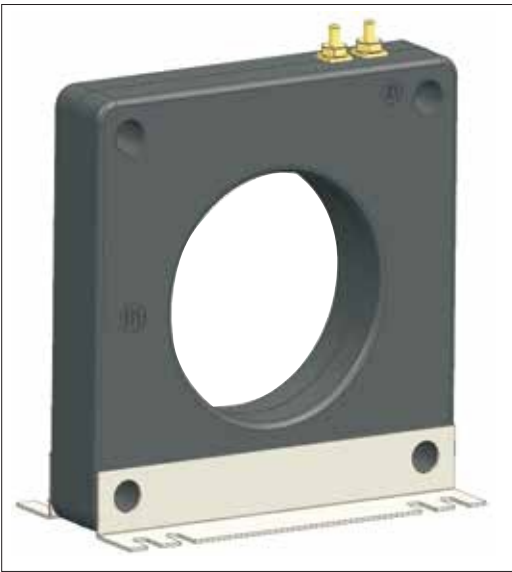
*Omega 30
Model 8*

Omega 30 Series

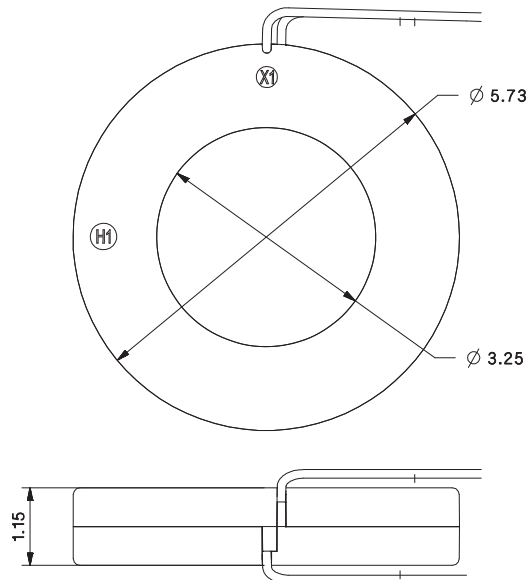
Omega 30E

Omega 30E 8ASHT, 8ARL Series

Omega 30E 8ASHT



Omega 30E 8ARL



ALL DIMENSIONS ARE IN INCHES

Omega 30 Series

Omega 30E

Omega 30E 8ASHT & 8ARL Series

8ASHT & 8ARL

Current Ratio	VA @ ±1% Class	ANSI METERING CLASS					Cont. Thermak RF	
		B0.1	B0.2	B0.5	B0.9	B1.8	@30	@55
200	5.0	1.2	1.2	2.4	4.8	4.8	2.0	2.0
250	7.5	0.6	0.6	1.2	2.4	4.8	2.0	2.0
300	15	0.6	0.6	1.2	2.4	2.4	2.0	2.0
400	25	0.3	0.3	0.6	1.2	2.4	2.0	1.5
500	35	0.3	0.3	0.6	0.6	1.2	2.0	1.5
600	50	0.3	0.3	0.6	0.6	1.2	1.5	1.33
750	50	0.3	0.3	0.6	0.6	1.2	1.5	1.0
800	60	0.3	0.3	0.3	0.6	0.6	1.5	1.0
1000	75	0.3	0.3	0.3	0.6	0.6	1.33	1.0
1200	75	0.3	0.3	0.3	0.3	0.6	1.5	1.0
1500	90	0.3	0.3	0.3	0.3	0.6	1.33	1.0
1600	100	0.3	0.3	0.3	0.3	0.6	1.33	0.8
2000	120	0.3	0.3	0.3	0.3	-	1.0	0.8
2500	50	0.3	0.3	0.3	0.3	-	1.0	0.8
3000	60	0.3	0.3	0.3	0.3	-	1.0	0.8
3200	70	0.3	0.3	0.3	0.3	-	1.0	0.8
4000	80	0.3	0.3	0.3	0.3	-	0.8	0.8

Used for Metering
Approx. weight 2.5 lbs

Omega ANSI Current Transformer Series

Omega 30

Specifications

- Applicable Standard : ANSI/IEEE C57.13
- Case : 10% glass filled polycarbonate, flame retardant grades classified UL 94V-0.
- Frequency : 50-400 Hz.
- Insulation Level : 10KV BIL full wave.
- Flexible leads are UL 1015, 105°C 16AWG.
- Non-standard length to be specified.
- For all the SHT & SFT types terminals are brass studs No. 8-32 with one flat washer, lock washer & regular nut
- All the SHT & SFT models also available as SHL & SFL with leads
- For all the SHT types- mounting bracket kit can be provided when required

Application

- Use for measurement purposes in conjunction with ammeters, wattmeters, etc.
- Also applicable for cross current compensation.



Sifam Tinsley Instrumentation Inc.
3105 Creekside Village Dr,
Suite 801,
Kennesaw GA 30144
Contact Number: +1.404.736.4903
Web: www.sifamtinsley.com

Sifam Tinsley Instrumentation Ltd.
Central Buildings, Woodland Close,
Old Woods Trading Estate,
Torquay, Devon, England, TQ27BB
Contact Number: +44 (0) 1803 615139
Web: www.sifamtinsley.com/uk

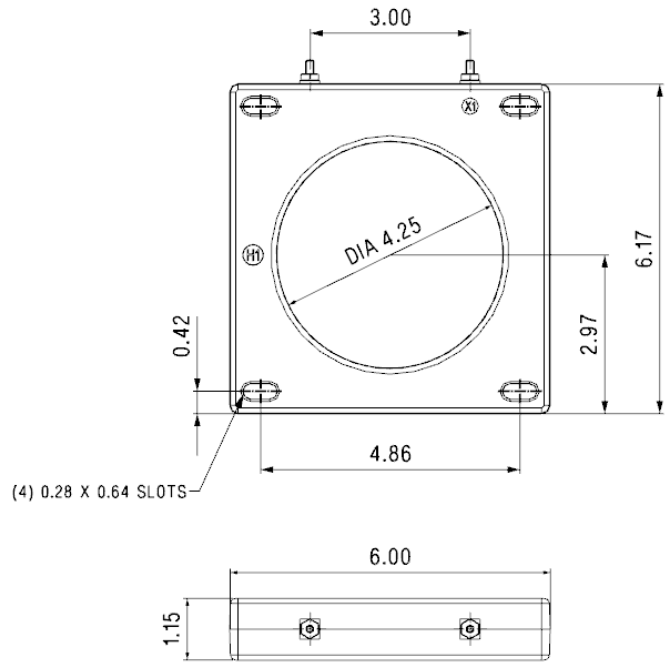


Technical Data Sheet

*Omega ANSI
Current Transformer Series*



*Omega 30
Model 19SHT*



*All the mentioned dimensions are in inches

CURRENT RATIO	V.A. FOR $\pm 1\%$ CLASS	ANSI METERING CLASS AT 60 HZ					SECONDARY WINDING RESISTANCE (OHMS @ 75° C)	CONTINUOUS RATING FACTOR	
		B0.1	B0.2	B0.5	B0.9	B1.8		@ 30° C	@ 55° C
300:5	4	0.6	1.2	2.4	-	-	0.070	2	2
400:5	10	0.3	0.6	1.2	-	-	0.094	2	2
500:5	15	0.3	0.6	1.2	-	-	0.122	2	1.5
600:5	15	0.3	0.3	0.6	1.2	-	0.155	2	1.5
700:5	25	0.3	0.3	0.6	0.6	-	0.182	1.5	1.33
800:5	30	0.3	0.3	0.6	0.6	-	0.266	1.5	1.33
1000:5	30	0.3	0.3	0.6	0.6	-	0.358	1.33	1
1200:5	40	0.3	0.3	0.3	0.6	-	0.419	1.33	1
1500:5	15	0.3	0.3	0.6	1.2	-	0.406	1.5	1
1600:5	15	0.3	0.3	0.3	0.6	-	0.434	1.5	1
2000:5	20	0.3	0.3	0.3	0.6	-	0.532	1.33	1
2500:5	20	0.3	0.3	0.3	0.3	-	0.700	1	0.8
3000:5	25	0.3	0.3	0.3	0.3	-	0.840	1	0.8
4000:5	25	0.3	0.3	0.3	0.3	-	0.600	1	0.8

Specification

- Applicable Standard : ANSI/IEEE C57.13
Case : 10% glass filled polycarbonate, flame retardant grades classified UL 94V-0.
- Frequency : 50-400 Hz.
- Insulation Level : 10KV BIL full wave.
- Flexible leads are UL 1015, 105°C 16AWG.
- Non-standard length to be specified.
- For all the SHT & SFT types terminals are brass studs No. 8-32 with one flat washer, lock washer & regular nut
- All the SHT & SFT models also available as SHL & SFL with leads
- For all the SHT types- mounting bracket kit can be provided when required

Application

- Use for measurement purposes in conjunction with ammeters, wattmeters, etc.
- Also applicable for cross current compensation.



Sifam Tinsley Instrumentation Inc.
3105, Creekside Village Drive,
Suite No. 801, Kennesaw,
GA 30144 (USA)
E-mail Id : psk@sifamtinsley.com
Web : www.sifamtinsley.com
Contact No. : +1 404 736 4903

Sifam Tinsley Instrumentation Ltd
Unit 1 Warner Drive,
Springwood Industrial Estate
Braintree, Essex, UK, CM72YW
E-mail: sales@sifamtinsley.com
Web: www.sifamtinsley.com/uk
Contact: +44(0)1803615139



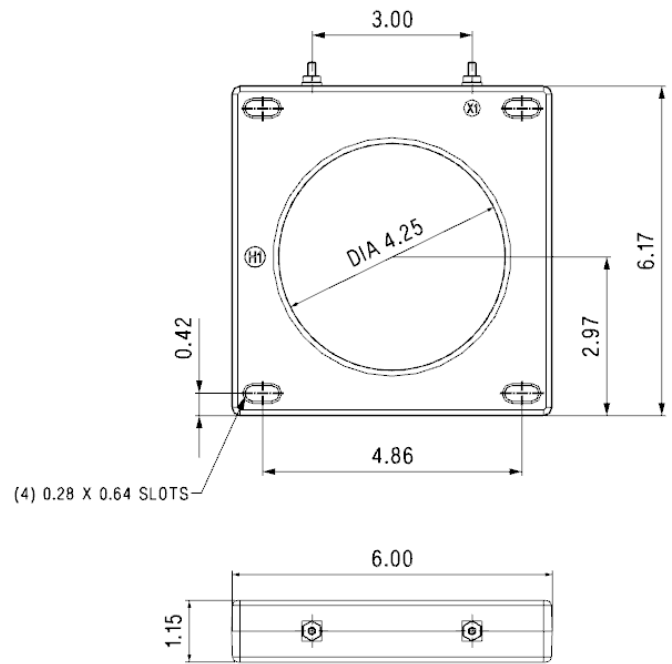
Technical Data Sheet

*Omega ANSI
Current Transformer Series*



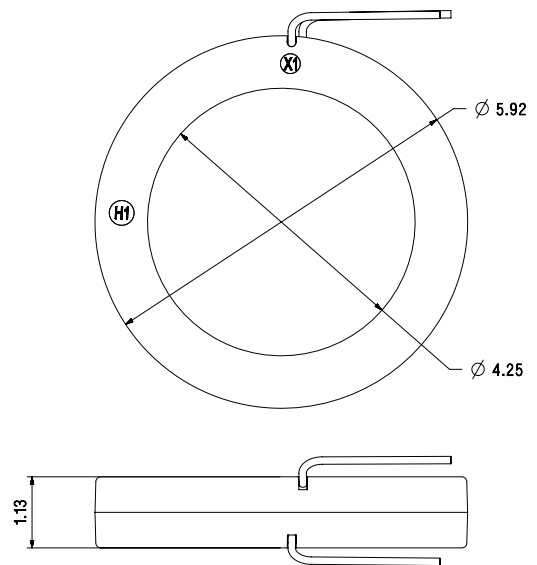
*Omega 30
19SHT
19RL*

Omega 30 - 19SHT



*All the mentioned dimensions are in inches

Omega 30 - 19RL



Omega 30 - 19SHT, 19RL

CURRENT RATIO	V.A. FOR $\pm 1\%$ CLASS	ANSI METERING CLASS AT 60 HZ					SECONDARY WINDING RESISTANCE (OHMS @ 75° C)	CONTINUOUS RATING FACTOR	
		B0.1	B0.2	B0.5	B0.9	B1.8		@ 30° C	@ 55° C
300:5	4	0.6	1.2	2.4	-	-	0.070	2	2
400:5	10	0.3	0.6	1.2	-	-	0.094	2	2
500:5	15	0.3	0.6	1.2	-	-	0.122	2	1.5
600:5	15	0.3	0.3	0.6	1.2	-	0.155	2	1.5
700:5	25	0.3	0.3	0.6	0.6	-	0.182	1.5	1.33
800:5	30	0.3	0.3	0.6	0.6	-	0.266	1.5	1.33
1000:5	30	0.3	0.3	0.6	0.6	-	0.358	1.33	1
1200:5	40	0.3	0.3	0.3	0.6	-	0.419	1.33	1
1500:5	15	0.3	0.3	0.6	1.2	-	0.406	1.5	1
1600:5	15	0.3	0.3	0.3	0.6	-	0.434	1.5	1
2000:5	20	0.3	0.3	0.3	0.6	-	0.532	1.33	1
2500:5	20	0.3	0.3	0.3	0.3	-	0.700	1	0.8
3000:5	25	0.3	0.3	0.3	0.3	-	0.840	1	0.8
4000:5	25	0.3	0.3	0.3	0.3	-	0.600	1	0.8

Specification

- Applicable Standard : ANSI/IEEE C57.13
Case : 10% glass filled polycarbonate, flame retardant grades classified UL 94V-0.
- Frequency : 50-400 Hz.
- Insulation Level : 10KV BIL full wave.
- Flexible leads are UL 1015, 105°C 16AWG.
- Non-standard length to be specified.
- For all the SHT & SFT types terminals are brass studs No. 8-32 with one flat washer, lock washer & regular nut
- All the SHT & SFT models also available as SHL & SFL with leads
- For all the SHT types- mounting bracket kit can be provided when required

Application

- Use for measurement purposes in conjunction with ammeters, wattmeters, etc.
- Also applicable for cross current compensation.

Sifam Tinsley Instrumentation Inc.

Address: 2105 Barrett Park Dr, Unit 105, Kennesaw, GA 30144

Tel.: 800-879-6171 | **E-mail:** info@sifamtinsley.com | **Web:** www.sifamtinsley.com
