

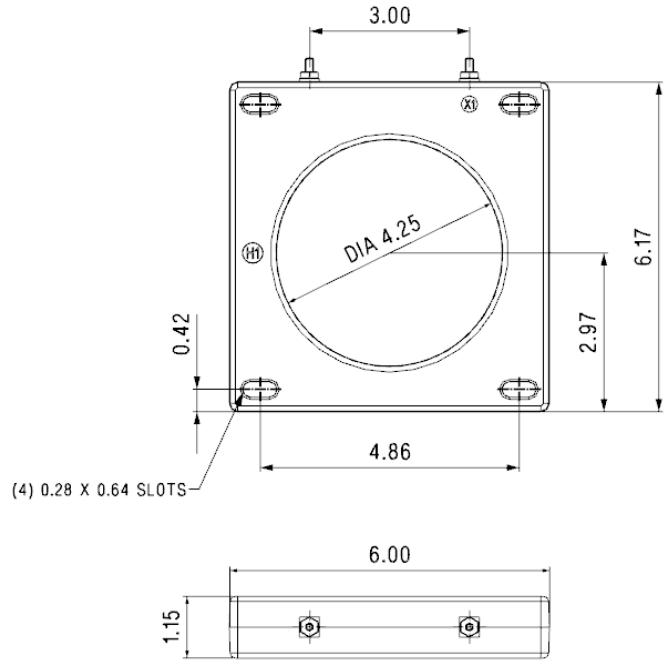


Technical Data Sheet

*Omega ANSI
Current Transformer Series*



*Omega 30
Model 19SHT*



*All the mentioned dimensions are in inches

CURRENT RATIO	V.A. FOR $\pm 1\%$ CLASS	ANSI METERING CLASS AT 60 HZ					SECONDARY WINDING RESISTANCE (OHMS @ 75° C)	CONTINUOUS RATING FACTOR	
		B0.1	B0.2	B0.5	B0.9	B1.8		@ 30° C	@ 55° C
300:5	4	0.6	1.2	2.4	-	-	0.070	2	2
400:5	10	0.3	0.6	1.2	-	-	0.094	2	2
500:5	15	0.3	0.6	1.2	-	-	0.122	2	1.5
600:5	15	0.3	0.3	0.6	1.2	-	0.155	2	1.5
700:5	25	0.3	0.3	0.6	0.6	-	0.182	1.5	1.33
800:5	30	0.3	0.3	0.6	0.6	-	0.266	1.5	1.33
1000:5	30	0.3	0.3	0.6	0.6	-	0.358	1.33	1
1200:5	40	0.3	0.3	0.3	0.6	-	0.419	1.33	1
1500:5	15	0.3	0.3	0.6	1.2	-	0.406	1.5	1
1600:5	15	0.3	0.3	0.3	0.6	-	0.434	1.5	1
2000:5	20	0.3	0.3	0.3	0.6	-	0.532	1.33	1
2500:5	20	0.3	0.3	0.3	0.3	-	0.700	1	0.8
3000:5	25	0.3	0.3	0.3	0.3	-	0.840	1	0.8
4000:5	25	0.3	0.3	0.3	0.3	-	0.600	1	0.8

Specification

- Applicable Standard : ANSI/IEEE C57.13
Case : 10% glass filled polycarbonate, flame retardant grades classified UL 94V-0.
- Frequency : 50-400 Hz.
- Insulation Level : 10KV BIL full wave.
- Flexible leads are UL 1015, 105°C 16AWG.
- Non-standard length to be specified.
- For all the SHT & SFT types terminals are brass studs No. 8-32 with one flat washer, lock washer & regular nut
- All the SHT & SFT models also available as SHL & SFL with leads
- For all the SHT types- mounting bracket kit can be provided when required

Application

- Use for measurement purposes in conjunction with ammeters, wattmeters, etc.
- Also applicable for cross current compensation.



Sifam Tinsley Instrumentation Inc.
3105, Creekside Village Drive,
Suite No. 801, Kennesaw,
GA 30144 (USA)
E-mail Id : psk@sifamtinsley.com
Web : www.sifamtinsley.com
Contact No. : +1 404 736 4903

Sifam Tinsley Instrumentation Ltd
Unit 1 Warner Drive,
Springwood Industrial Estate
Braintree, Essex, UK, CM72YW
E-mail: sales@sifamtinsley.com
Web: www.sifamtinsley.com/uk
Contact: +44(0)1803615139