



**sifam tinsley**  
PRECISION INSTRUMENTATION



Multifunction Meters

Transducers & Isolators

Temperature Controllers

Converters & Recorders

Digital Panel Meters

Current Transformers

Analogue Panel Meters

Shunts

Digital Multimeters

Clamp Meters

Insulation Testers

OMEGA XMER

Powered by technology  
...driven by service

View our full range online  
[www.sifamtinsley.co.uk](http://www.sifamtinsley.co.uk)

All dimensions are in mm.

NOTE: Please consult Sifam Tinsley on 1A secondary for availability.

**Features given vary from product to product -  
for more detailed product specific info please  
visit our website [www.sifamtinsley.co.uk](http://www.sifamtinsley.co.uk)**

View our full range online: [www.sifamtinsley.co.uk](http://www.sifamtinsley.co.uk)

# OMEGA XMER

## OMEGA XMER

OMEGA XMER CT's are square type and encapsulated with UL94V-0 approved polycarbonate. These metering CT's feature sealable terminal covers and a wide range of primary current ratings. Available in various, Bus bar sizes, case widths, and mounting options.

### Specifications

- Primary current 5A to 7500A
- Secondary current 1A or 5A
- Accuracy class 0.5 and 1 (on request 0.2)
- Over current limiting factor FS5, FS10, FS15
- Rated frequency 50Hz or 60Hz
- Rated continuous thermal current (standard) 1,2 x in
- Rated short time thermal current with 60 x in, 1 s (Max 40kA)
- Rated isolation level 0.72/3 kV or 0.72/4 kV
- Altitude up to 2000 m
- Degree of protection IP20
- Degree of pollution 2
- Ambient temperature -5°C to + 55°C (0-95% relative humidity, non condensing!)
- Storage temperature -25°C to + 70°C
- Applied standards IEC 60044-1 / IEC 61869-1 : Performance, IEC - 61010 - 2 : Safety.



### Features

- Comprehensive class accuracy
- Cost effective moulded case current transformer
- Various mounting options including wall mounting, cable mounting, bus bar mounting and DIN rail mounting
- Available in 0.2 & 0.2s accuracy class
- Wire sealable terminal covers

OMEGA XMER

## LCTM 62/W (62mm wide x 40mm deep)

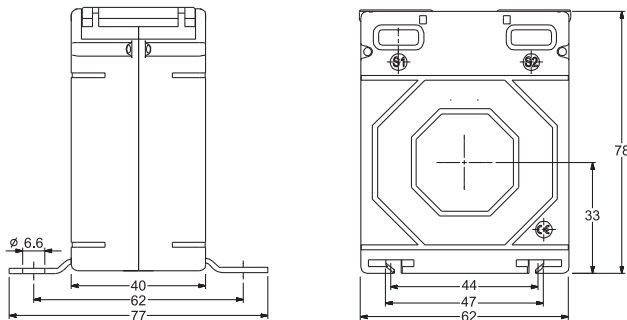
Cat No.	Ratio	VA at CL 0.5
XW01-045055S000000	5/5A	2.5VA
XW01-065055S000000	10/5A	2.5VA
XW01-075055S000000	15/5A	2.5VA
XW01-085055S000000	20/5A	2.5VA
XW01-105055S000000	30/5A	2.5VA

Primary Ratios available from 1A to 30A

Cat No.	Ratio	VA at CL 1.0
XW01-045081S000000	5/5A	5VA
XW01-065081S000000	10/5A	5VA
XW01-075081S000000	15/5A	5VA
XW01-085081S000000	20/5A	5VA
XW01-105081S000000	30/5A	5VA

Primary Ratios available from 1A to 30A

### Dimensions



## LCTM 62/W



## LCTM 74/W



### LCTM 74/W (74mm wide x 45mm deep)

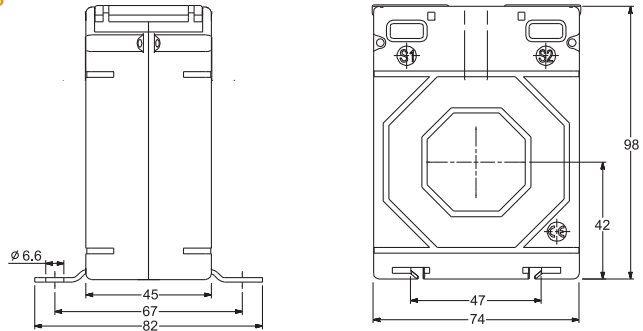
Cat No.	Ratio	VA at CL 0.5
XW02-045085S000000	5/5A	5VA
XW02-065085S000000	10/5A	5VA
XW02-075085S000000	15/5A	5VA
XW02-085085S000000	20/5A	5VA
XW02-105085S000000	30/5A	5VA
XW02-115085S000000	40/5A	5VA
XW02-135085S000000	50/5A	5VA
XW02-145085S000000	60/5A	5VA

Primary Ratios available from 1A to 60A

Cat No.	Ratio	VA at CL 1.0
XW02-045111S000000	5/5A	10VA
XW02-065111S000000	10/5A	10VA
XW02-075111S000000	15/5A	10VA
XW02-085111S000000	20/5A	10VA
XW02-105111S000000	30/5A	10VA
XW02-115111S000000	40/5A	10VA
XW02-135111S000000	50/5A	10VA
XW02-145111S000000	60/5A	10VA

Primary Ratios available from 1A to 60A

### Dimensions



## LCTR 45/14



### LCTR 45/14 (45mm wide x 40mm deep x 14mm I.D.)

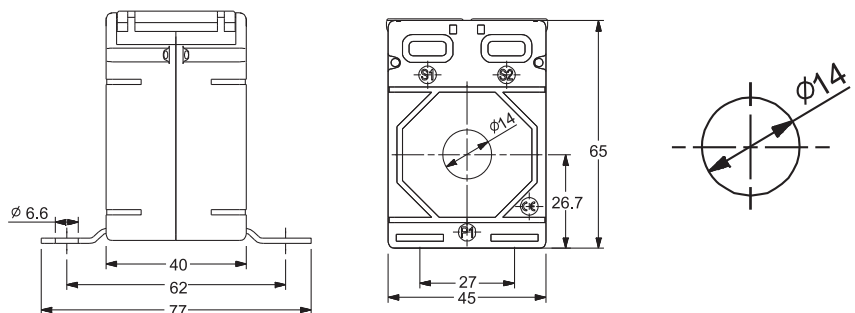
Cat No.	Ratio	VA at CL 0.5
XM01-175015S000000	80/5A	1VA
XM01-185035S000000	100/5A	1.5VA
XM01-205055S000000	125/5A	2.5VA
XM01-225055S000000	150/5A	2.5VA
XM01-245075S000000	200/5A	3.75VA
XM01-275085S000000	250/5A	5VA
XM01-285085S000000	300/5A	5VA

Primary Ratios available from 80A to 300A

Cat No.	Ratio	VA at CL 1.0
XM01-105011S000000	30/5A	1VA
XM01-115011S000000	40/5A	1VA
XM01-135031S000000	50/5A	1.5VA
XM02-145031S000000	60/5A	1.5VA
XM01-175051S000000	80/5A	2.5VA
XM01-185071S000000	100/5A	3.75VA
XM01-205071S000000	125/5A	3.75VA
XM01-225081S000000	150/5A	5VA
XM01-245101S000000	200/5A	7.5VA
XM01-275101S000000	250/5A	7.5VA
XM01-285081S000000	300/5A	10VA

Primary Ratios available from 30A to 300A

### Dimensions



Features given vary from product to product - for more detailed product specific info please visit our website [www.sifamtinsley.co.uk](http://www.sifamtinsley.co.uk)

### LCTR 45/21 (45mm wide x 40mm deep x (21 x 10mm) I.D.)

Cat No.	Ratio	VA at CL 0.5	Cat No.	Ratio	VA at CL 1.0
XM02-175015S000000	80/5A	1VA	XM02-135031S000000	50/5A	1.5VA
XM02-185035S000000	100/5A	1.5VA	XM02-145031S000000	60/5A	1.5VA
XM02-205055S000000	125/5A	2.5VA	XM02-175051S000000	80/5A	2.5VA
XM02-225055S000000	150/5A	2.5VA	XM02-185071S000000	100/5A	3.75VA
XM02-245075S000000	200/5A	3.75VA	XM02-205071S000000	125/5A	3.75VA
XM02-275075S000000	250/5A	3.75VA	XM02-225071S000000	150/5A	3.75VA
XM02-285085S000000	300/5A	5VA	XM02-245081S000000	200/5A	5VA
XM02-315085S000000	400/5A	5VA	XM02-275081S000000	250/5A	5VA
			XM02-285081S000000	300/5A	5VA
			XM02-315081S000000	400/5A	5VA

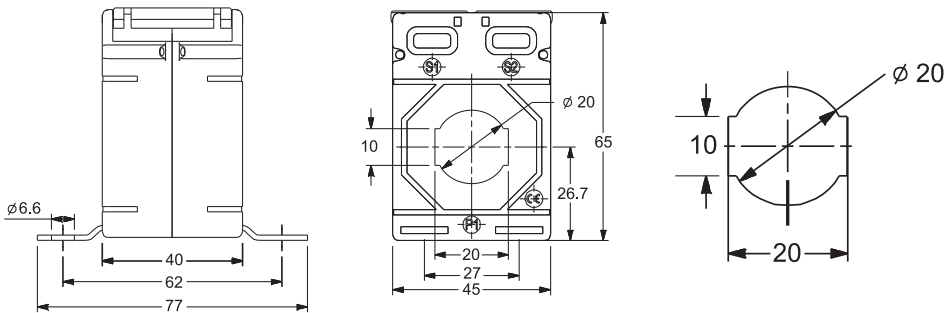
Primary Ratios available from 80A to 400A

Primary Ratios available from 50A to 400A

### LCTR 45/21



### Dimensions



### LCTR 50/14 (50mm wide x 30mm deep x (14mm) I.D.)

Cat No.	Ratio	VA at CL 0.5	Cat No.	Ratio	VA at CL 1.0
XM03-185055S000000	100/5A	2.5VA	XM03-115011S000000	40/5A	1VA
XM03-205055S000000	125/5A	2.5VA	XM03-135031S000000	50/5A	1.5VA
XM03-225075S000000	150/5A	3.75VA	XM03-145031S000000	60/5A	1.5VA
XM03-245075S000000	200/5A	3.75VA	XM03-175031S000000	80/5A	1.5VA
XM03-275085S000000	250/5A	5VA	XM03-185071S000000	100/5A	3.75VA
XM03-285105S000000	300/5A	7.5VA	XM03-205071S000000	125/5A	3.75VA
			XM03-225081S000000	150/5A	5VA
			XM03-245081S000000	200/5A	5VA
			XM03-275101S000000	250/5A	7.5VA
			XM03-285101S000000	300/5A	7.5VA

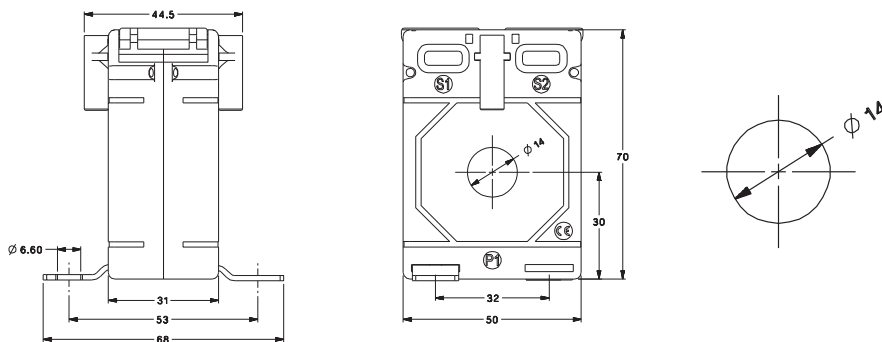
Primary Ratios available from 100A to 300A

Primary Ratios available from 40A to 300A

### LCTR 50/14 (30)



### Dimensions



## LCTR 50/14 (50)



### LCTR 50/14 (50) (50mm wide x 50mm deep x (14mm) I.D.)

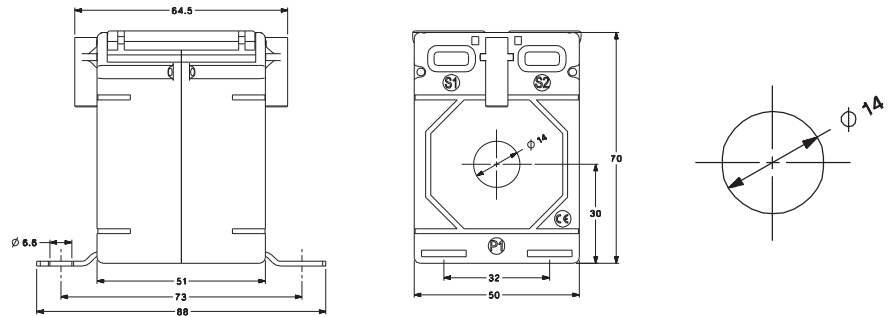
Cat No.	Ratio	VA at CL 0.5
XM04-135035S000000	50/5A	1.5VA
XM04-145035S000000	60/5A	1.5VA
XM04-175055S000000	80/5A	2.5VA
XM04-185075S000000	100/5A	3.75VA
XM04-205075S000000	125/5A	3.75VA
XM04-225085S000000	150/5A	5VA
XM04-245105S000000	200/5A	7.5VA
XM04-275115S000000	250/5A	10VA
XM04-285115S000000	300/5A	10VA

Primary Ratios available from 50A to 300A

Cat No.	Ratio	VA at CL 1.0
XM04-115011S000000	30/5A	1VA
XM04-115011S000000	40/5A	1VA
XM04-135031S000000	50/5A	1.5VA
XM04-145031S000000	60/5A	1.5VA
XM04-175081S000000	80/5A	5VA
XM04-185081S000000	100/5A	5VA
XM04-205081S000000	125/5A	5VA
XM04-225101S000000	150/5A	7.5VA
XM04-245111S000000	200/5A	10VA
XM04-275111S000000	250/5A	10VA
XM04-285111S000000	300/5A	10VA

Primary Ratios available from 30A to 300A

### Dimensions



## LCTR 50/21 (30)



### LCTR 50/21 (30) (50mm wide x 30mm deep x (21 x 10mm) I.D.)

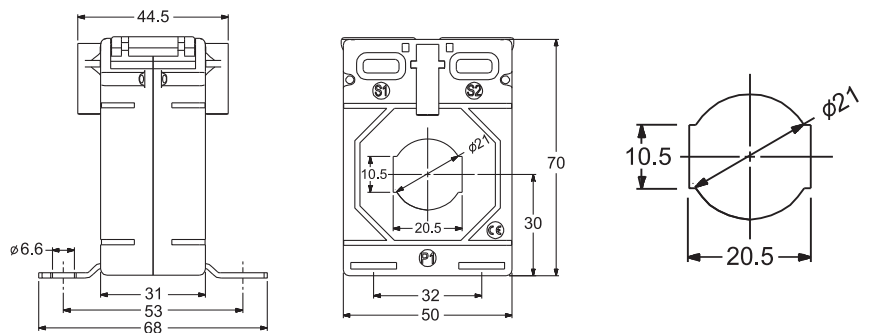
Cat No.	Ratio	VA at CL 0.5
XM05-175015S000000	80/5A	1VA
XM05-185035S000000	100/5A	1.5VA
XM05-205055S000000	125/5A	2.5VA
XM05-225055S000000	150/5A	2.5VA
XM05-245075S000000	200/5A	3.75VA
XM05-275085S000000	250/5A	5VA
XM05-285085S000000	300/5A	5VA
XM05-315085S000000	400/5A	5VA

Primary Ratios available from 80A to 400A

Cat No.	Ratio	VA at CL 1.0
XM05-135011S000000	50/5A	1VA
XM05-145011S000000	60/5A	1VA
XM05-175051S000000	80/5A	2.5VA
XM05-185051S000000	100/5A	2.5VA
XM05-205071S000000	125/5A	3.75VA
XM05-225081S000000	150/5A	5VA
XM05-245081S000000	200/5A	5VA
XM05-275085S000000	250/5A	5VA
XM05-285101S000000	300/5A	7.5VA
XM05-315101S000000	400/5A	7.5VA

Primary Ratios available from 50A to 400A

### Dimensions



All dimensions are in mm.

NOTE: Please consult Sifam Tinsley on 1A secondary for availability.

Features given vary from product to product - for more detailed product specific info please visit our website [www.sifamtinsley.co.uk](http://www.sifamtinsley.co.uk)

### LCTR 50/21 (50) (50mm wide x 50mm deep x (21 x 10mm) I.D.)

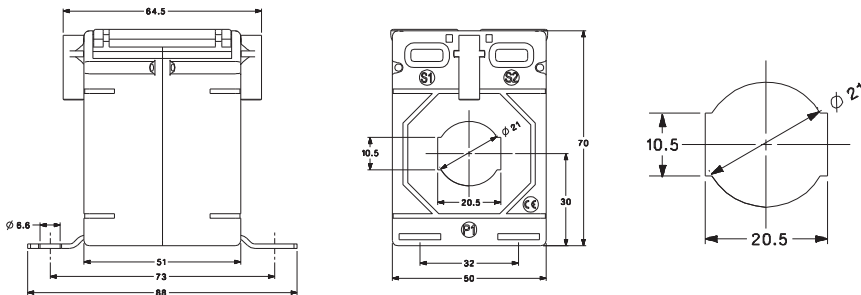
Cat No.	Ratio	VA at CL 0.5	Cat No.	Ratio	VA at CL 1.0
XM06-135015S000000	50/5A	1VA	XM06-145051S000000	60/5A	2.5VA
XM06-145015S000000	60/5A	1VA	XM06-175071S000000	80/5A	5VA
XM06-175055S000000	80/5A	2.5VA	XM06-185071S000000	100/5A	5VA
XM06-185055S000000	100/5A	2.5VA	XM06-205071S000000	125/5A	5VA
XM06-205085S000000	125/5A	5VA	XM06-225111S000000	150/5A	10VA
XM06-225085S000000	150/5A	5VA	XM06-245111S000000	200/5A	10VA
XM06-245105S000000	200/5A	7.5VA	XM06-275115S000000	250/5A	10VA
XM06-275105S000000	250/5A	7.5VA	XM06-285121S000000	300/5A	12.5VA
XM06-285105S000000	300/5A	7.5VA	XM06-315131S000000	400/5A	15VA
XM06-315115S000000	400/5A	10VA	Primary Ratios available from 60A to 400A		

Primary Ratios available from 50A to 400A

### LCTR 50/21 (50)



### Dimensions



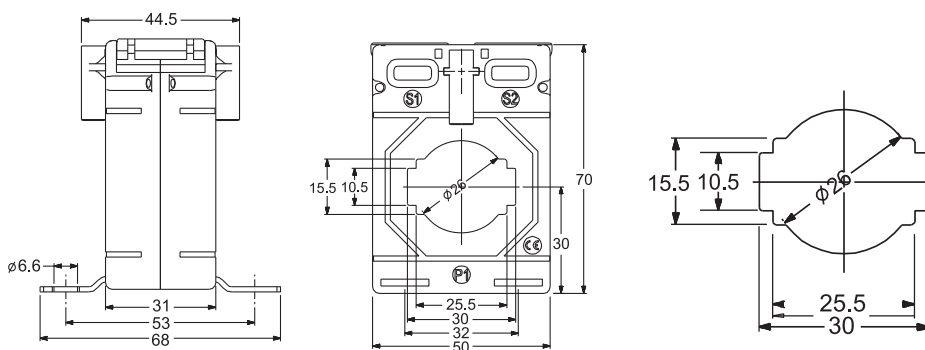
### LCTB 50/30 (30) (50mm wide x 30mm deep x (30 x 10mm) I.D.)

Cat No.	Ratio	VA at CL 0.5	Cat No.	Ratio	VA at CL 1.0
XM07-185015S000000	100/5A	1VA	XM07-175031S000000	80/5A	1.5VA
XM07-205015S000000	125/5A	1VA	XM07-185051S000000	100/5A	2.5VA
XM07-225055S000000	150/5A	2.5VA	XM07-205051S000000	125/5A	2.5VA
XM07-245055S000000	200/5A	2.5VA	XM07-225071S000000	150/5A	3.75VA
XM07-275081S000000	250/5A	5VA	XM07-245081S000000	200/5A	5VA
XM07-285085S000000	300/5A	5VA	XM07-275081S000000	250/5A	5VA
XM07-315085S000000	400/5A	5VA	XM07-285081S000000	300/5A	5VA
XM07-325085S000000	500/5A	5VA	XM07-315091S000000	400/5A	6.25VA
XM07-335085S000000	600/5A	5VA	XM07-325091S000000	500/5A	6.25VA
Primary Ratios available from 100A to 600A			XM07-335101S000000	600/5A	7.5VA

### LCTB 50/30 (30)



### Dimensions



## LCTB 50/30 (50)



### LCTB 50/30 (50) (50mm wide x 50mm deep x (30 x 30mm) I.D.)

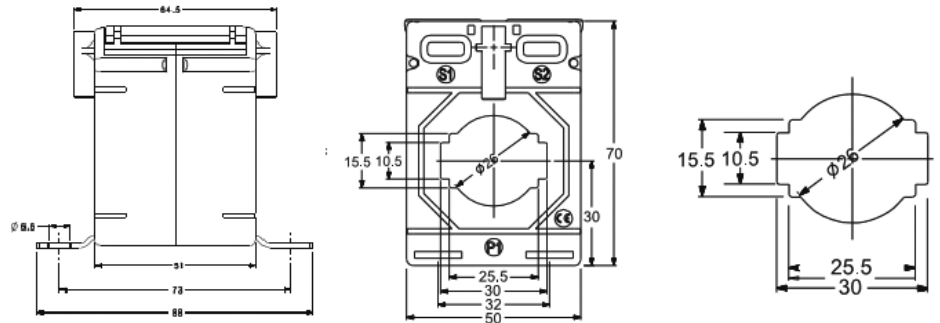
Cat No.	Ratio	VA at CL 0.5
XM08-185055S000000	100/5A	2.5VA
XM08-205055S000000	125/5A	2.5VA
XM08-22505S000000	150/5A	5VA
XM08-2450855S000000	200/5A	5VA
XM08-275085S000000	250/5A	5VA
XM08-285085S000000	300/5A	5VA
XM08-315115S000000	400/5A	10VA
XM08-325115S000000	500/5A	10VA
XM08-335115S000000	600/5A	10VA

Primary Ratios available from 100A to 600A

Cat No.	Ratio	VA at CL 1.0
XM08-175051S000000	80/5A	2.5VA
XM08-185081S000000	100/5A	5VA
XM08-205081S000000	125/5A	5VA
XM08-225081S000000	150/5A	5VA
XM08-245101S000000	200/5A	7.5VA
XM08-275111S000000	250/5A	10VA
XM08-285111S000000	300/5A	10VA
XM08-315121S000000	400/5A	12.5VA
XM08-325121S000000	500/5A	12.5VA
XM08-335131S000000	600/5A	15VA

Primary Ratios available from 50A to 600A

### Dimensions



## LCTB 62R



### LCTB 62R (62mm Wide x 40mm deep x (22.5mm) I.D.)

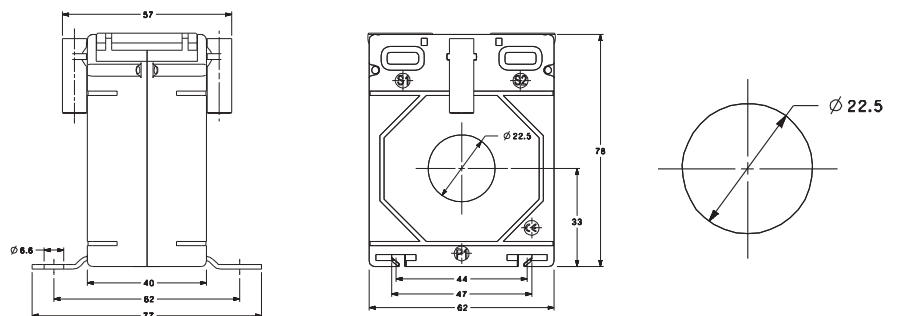
Cat No.	Ratio	VA at CL 0.5
XM09-185055S000000	100/5A	2.5VA
XM09-205075S000000	125/5A	3.75VA
XM09-225085S000000	150/5A	5VA
XM09-245105S000000	200/5A	7.5VA
XM09-275115S000000	250/5A	10VA
XM09-285115S000000	300/5A	10VA
XM09-315135S000000	400/5A	15VA
XM09-325135S000000	500/5A	15VA
XM09-335135S000000	600/5A	15VA

Primary Ratios available from 100A to 600A

Cat No.	Ratio	VA at CL 1.0
XM09-135021S000000	50/5A	1.5VA
XM09-145051S000000	60/5A	2.5VA
XM09-175051S000000	80/5A	2.5VA
XM09-185081S000000	100/5A	5VA
XM09-205081S000000	125/5A	5VA
XM09-225101S000000	150/5A	7.5VA
XM09-245111S000000	200/5A	10VA
XM09-275131S000000	250/5A	15VA
XM09-285131S000000	300/5A	15VA
XM09-315131S000000	400/5A	15VA
XM09-325131S000000	500/5A	15VA
XM09-335131S000000	600/5A	15VA

Primary Ratios available from 50A to 600A

### Dimensions



All dimensions are in mm.

NOTE: Please consult Sifam Tinsley on 1A secondary for availability.

Features given vary from product to product - for more detailed product specific info please visit our website [www.sifamtinsley.co.uk](http://www.sifamtinsley.co.uk)



### LCTB 62/20 (62mm Wide x 40mm deep x (20.5x20.5mm) I.D.)

Cat No.	Ratio	VA at CL 0.5	Cat No.	Ratio	VA at CL 1.0
XM10-175035S000000	80/5A	1.5VA	XM10-135031S000000	50/5A	1.5VA
XM10-185055S000000	100/5A	2.5VA	XM10-145051S000000	60/5A	2.5VA
XM10-205075S000000	125/5A	3.75VA	XM10-175071S000000	80/5A	3.75VA
XM10-225085S000000	150/5A	5VA	XM10-185081S000000	100/5A	5VA
XM10-245105S000000	200/5A	7.5VA	XM10-205081S000000	125/5A	5VA
XM10-275115S000000	250/5A	10VA	XM10-225101S000000	150/5A	7.5VA
XM10-285115S000000	300/5A	10VA	XM10-245111S000000	200/5A	10VA
XM10-315135S000000	400/5A	15VA	XM10-275131S000000	250/5A	15VA
			XM10-285131S000000	300/5A	15VA
			XM10-315131S000000	400/5A	15VA

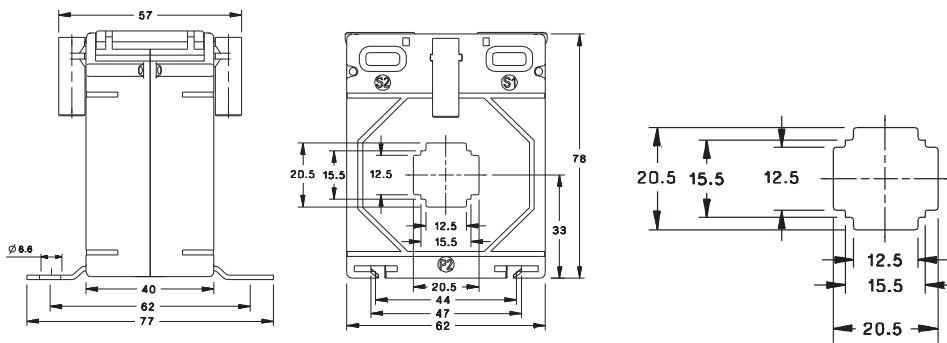
Primary Ratios available from 80A to 400A

Primary Ratios available from 50A to 400A

### LCTB 62/20



### Dimensions



### LCTB 62/30 (62mm Wide x 40mm deep x (30 x 11mm) I.D.)

Cat No.	Ratio	VA at CL 0.5	Cat No.	Ratio	VA at CL 1.0
XM11-185035S000000	100/5A	1.5VA	XM11-185051S000000	100/5A	2.5VA
XM11-205055S000000	125/5A	2.5VA	XM11-205071S000000	125/5A	3.75VA
XM11-225075S000000	150/5A	3.75VA	XM11-225081S000000	150/5A	5VA
XM11-245085S000000	200/5A	5VA	XM11-245101S000000	200/5A	7.5VA
XM11-275085S000000	250/5A	5VA	XM11-275101S000000	250/5A	7.5VA
XM11-285085S000000	300/5A	5VA	XM11-285111S000000	300/5A	10VA
XM11-315105S000000	400/5A	7.5VA	XM11-315121S000000	400/5A	12.5VA
XM11-325115S000000	500/5A	10VA	XM11-325121S000000	500/5A	12.5VA
XM11-335135S000000	600/5A	15VA	XM11-335131S000000	600/5A	15VA
XM11-335135S000000	750/5A	15VA			
XM11-335135S000000	800/5A	15VA			

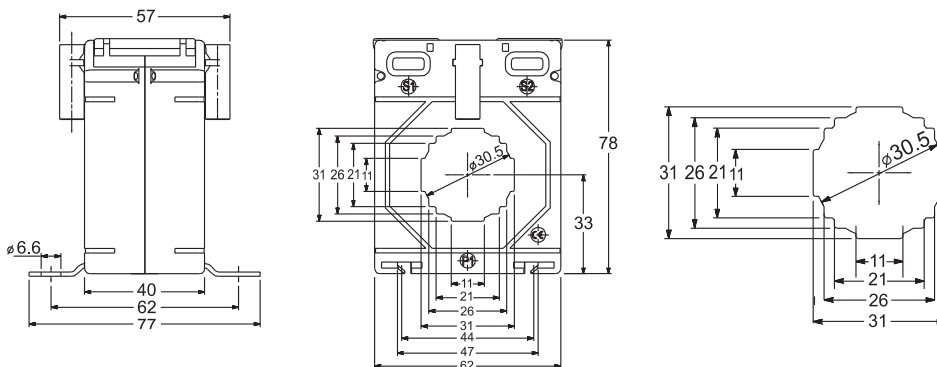
Primary Ratios available from 100A to 800A

Primary Ratios available from 100A to 800A

### LCTB 62/30



### Dimensions



## LCTB 62/30 (50)



### LCTB 62/30 (50) (62mm wide x 50mm deep x (30 x 11mm) I.D.)

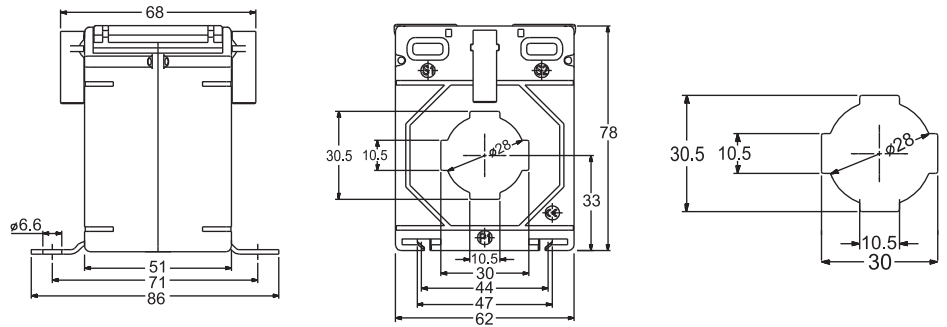
Cat No.	Ratio	VA at CL 0.5
XM12-185085S000000	100/5A	5VA
XM12-205085S000000	125/5A	5VA
XM12-225085S000000	150/5A	5VA
XM12-245115S000000	200/5A	10VA
XM12-275135S000000	250/5A	15VA
XM12-285135S000000	300/5A	15VA
XM12-315135S000000	400/5A	15VA
XM12-325135S000000	500/5A	15VA
XM12-335145S000000	600/5A	20VA
XM12-365145S000000	750/5A	20VA
XM12-375145S000000	800/5A	20VA

Primary Ratios available from 100A to 800A

Cat No.	Ratio	VA at CL 1.0
XM12-185081S000000	100/5A	5VA
XM12-205081S000000	125/5A	5VA
XM12-225101S000000	150/5A	7.5VA
XM12-245131S000000	200/5A	15VA
XM12-275131S000000	250/5A	15VA
XM12-285131S000000	300/5A	15VA
XM12-315151S000000	400/5A	30VA
XM12-325151S000000	500/5A	30VA
XM12-335151S000000	600/5A	30VA
XM12-365151S000000	750/5A	30VA
XM12-375151S000000	800/5A	30VA

Primary Ratios available from 40A to 800A

### Dimensions



## LCTB 62/40



### LCTB 62/40 (62mm wide x 40mm deep x (40 x 11mm) I.D.)

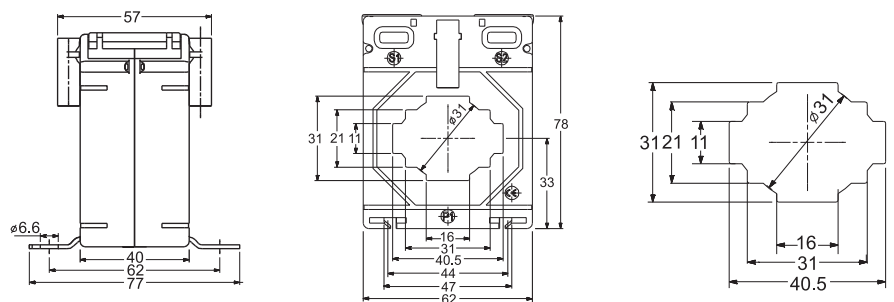
Cat No.	Ratio	VA at CL 0.5
XM13-245035S000000	200/5A	1.5VA
XM13-275055S000000	250/5A	2.5VA
XM13-285085S000000	300/5A	5VA
XM13-315085S000000	400/5A	5VA
XM13-325085S000000	500/5A	5VA
XM13-335105S000000	600/5A	7.5VA
XM13-365115S000000	750/5A	10VA
XM13-375115S000000	800/5A	10VA

Primary Ratios available from 200A to 800A

Cat No.	Ratio	VA at CL 1.0
XM13-185011S000000	100/5A	1VA
XM13-205031S000000	125/5A	1.5VA
XM13-225051S000000	150/5A	2.5VA
XM13-245071S000000	200/5A	3.75VA
XM13-275081S000000	250/5A	5VA
XM13-285081S000000	300/5A	5VA
XM13-315081S000000	400/5A	5VA
XM13-325101S000000	500/5A	7.5VA
XM13-335111S000000	600/5A	10VA
XM13-365111S000000	750/5A	10VA
XM13-375111S000000	800/5A	10VA

Primary Ratios available from 100A to 800A

### Dimensions



All dimensions are in mm.

NOTE: Please consult Sifam Tinsley on 1A secondary for availability.

Features given vary from product to product - for more detailed product specific info please visit our website [www.sifamtinsley.co.uk](http://www.sifamtinsley.co.uk)

### LCTB 74/20 (74mm wide x 45mm deep x (20.4mm) I.D.)

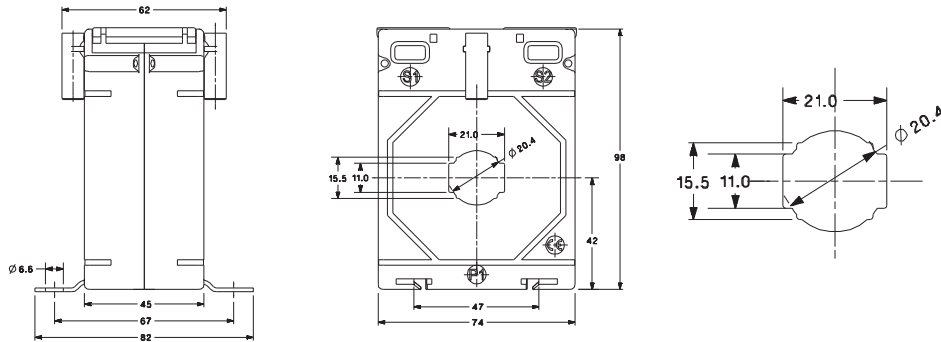
Cat No.	Ratio	VA at CL 0.5	Cat No.	Ratio	VA at CL 1.0
XM14-185085S000000	100/5A	5VA	XM14-185101S000000	100/5A	7.5VA
XM14-205085S000000	125/5A	5VA	XM14-205111S000000	125/5A	10VA
XM14-225105S000000	150/5A	7.5VA	XM14-225121S000000	150/5A	12.5VA
XM14-245115S000000	200/5A	10VA	XM14-245131S000000	200/5A	15VA
XM14-275115S000000	250/5A	10VA	XM14-275131S000000	250/5A	15VA
XM14-285135S000000	300/5A	15VA	XM14-285131S000000	300/5A	15VA
XM14-315135S000000	400/5A	15VA	XM14-315141S000000	400/5A	20VA

Primary Ratios available from 80A to 400A      Primary Ratios available from 50A to 400A

### LCTB 74/20



### Dimensions



### LCTB 74/30 (74mm wide x 45mm deep x (31x31mm) I.D.)

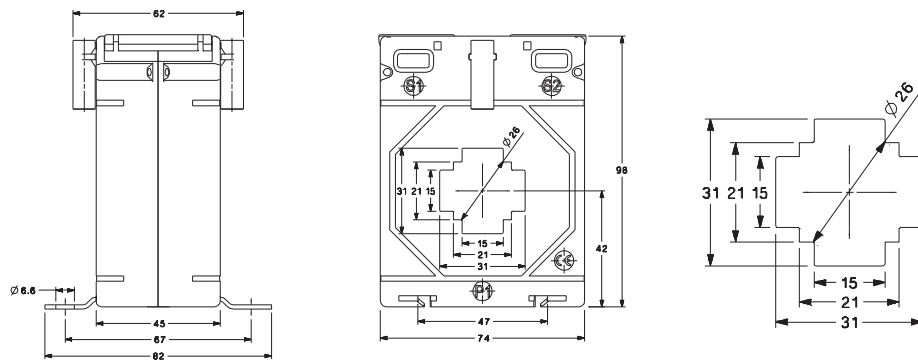
Cat No.	Ratio	VA at CL 0.5	Cat No.	Ratio	VA at CL 1.0
XM15-185055S000000	100/5A	2.5VA	XM15-185081S000000	100/5A	5VA
XM15-205055S000000	125/5A	2.5VA	XM15-205081S000000	125/5A	5VA
XM15-225085S000000	150/5A	5VA	XM15-225101S000000	150/5A	7.5VA
XM15-245115S000000	200/5A	10VA	XM15-245131S000000	200/5A	15VA
XM15-275115S000000	250/5A	10VA	XM15-275131S000000	250/5A	15VA
XM15-285115S000000	300/5A	10VA	XM15-285131S000000	300/5A	15VA
XM15-315135S000000	400/5A	15VA	XM15-315141S000000	400/5A	20VA
XM15-325135S000000	500/5A	15VA	XM15-325141S000000	500/5A	20VA
XM15-335135S000000	600/5A	15VA	XM15-335141S000000	600/5A	20VA
XM15-365145S000000	750/5A	20VA	XM15-365151S000000	750/5A	30VA
XM15-375155S000000	800/5A	30VA	XM15-375151S000000	800/5A	30VA

Primary Ratios available from 80A to 800A      Primary Ratios available from 60A to 800A

### LCTB 74/30



### Dimensions



## LCTB 74/40



### LCTB 74/40 (74mm wide x 45mm deep x (41x41mm) I.D.)

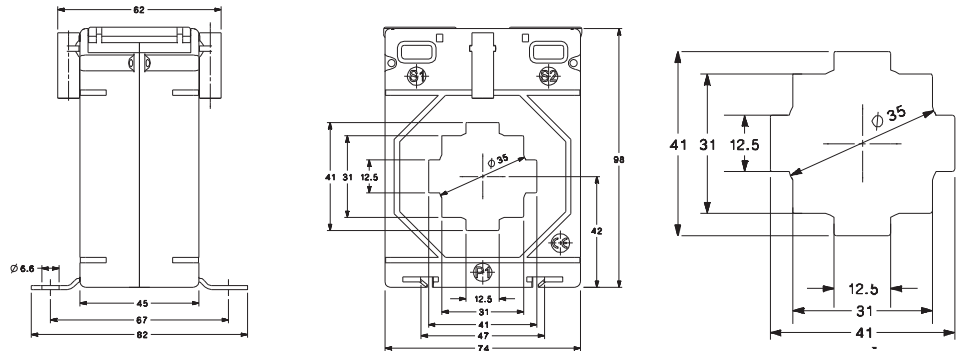
Cat No.	Ratio	VA at CL 0.5
XM16-185035S000000	100/5A	1.5VA
XM16-205035S000000	125/5A	1.5VA
XM16-225055S000000	150/5A	2.5VA
XM16-245075S000000	200/5A	3.75VA
XM16-275085S000000	250/5A	5VA
XM16-285085S000000	300/5A	5VA
XM16-315105S000000	400/5A	7.5VA
XM16-325115S000000	500/5A	10VA
XM16-335135S000000	600/5A	15VA
XM16-365135S000000	750/5A	15VA
XM16-375135S000000	800/5A	15VA
XM16-395135S000000	1000/5A	15VA

Primary Ratios available from 100A to 1000A

Cat No.	Ratio	VA at CL 1.0
XM16-185051S000000	100/5A	2.5VA
XM16-205051S000000	125/5A	2.5VA
XM16-225071S000000	150/5A	3.75VA
XM16-245081S000000	200/5A	5VA
XM16-275101S000000	250/5A	7.5VA
XM16-285101S000000	300/5A	7.5VA
XM16-315121S000000	400/5A	12.5VA
XM16-325131S000000	500/5A	15VA
XM16-335141S000000	600/5A	20VA
XM16-365141S000000	750/5A	20VA
XM16-375141S000000	800/5A	20VA
XM16-395141S000000	1000/5A	20VA

Primary Ratios available from 40A to 1000A

### Dimensions



## LCTB 74/50



### LCTB 74/50 (74mm wide x 45mm deep x (50 x 12mm) I.D.)

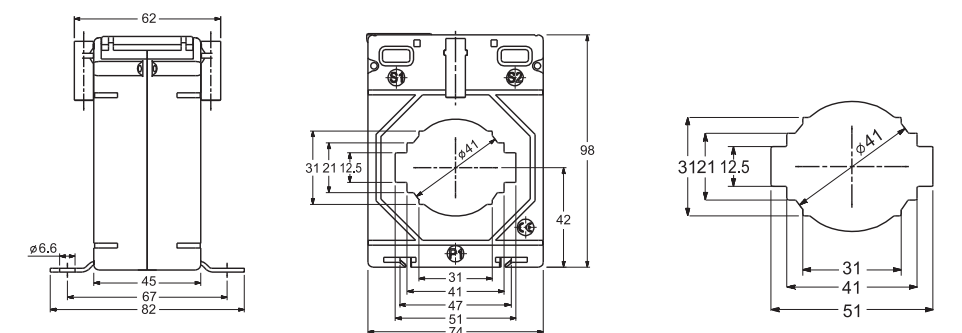
Cat No.	Ratio	VA at CL 0.5
XM17-275055S000000	250/5A	2.5VA
XM17-285085S000000	300/5A	5VA
XM17-315085S000000	400/5A	5VA
XM17-325105S000000	500/5A	7.5VA
XM17-335115S000000	600/5A	10VA
XM17-365125S000000	750/5A	12.5VA
XM17-375125S000000	800/5A	12.5VA
XM17-395125S000000	1000/5A	12.5VA

Primary Ratios available from 250A to 1000A

Cat No.	Ratio	VA at CL 1.0
XM17-185031S000000	100/5A	1.5VA
XM17-205031S000000	125/5A	1.5VA
XM17-225051S000000	150/5A	2.5VA
XM17-245071S000000	200/5A	3.75VA
XM17-275081S000000	250/5A	5VA
XM17-285101S000000	300/5A	7.5VA
XM17-315101S000000	400/5A	7.5VA
XM17-325111S000000	500/5A	10VA
XM17-335121S000000	600/5A	12.5VA
XM17-365131S000000	750/5A	15VA
XM17-375131S000000	800/5A	15VA
XM17-395131S000000	1000/5A	15VA

Primary Ratios available from 100A to 1000A

### Dimensions



All dimensions are in mm.

NOTE: Please consult Sifam Tinsley on 1A secondary for availability.

Features given vary from product to product - for more detailed product specific info please visit our website [www.sifamtinsley.co.uk](http://www.sifamtinsley.co.uk)

### LCTB 86/40 (86mm wide x 45mm deep x (41 x 41mm) I.D.)

Cat No.	Ratio	VA at CL 0.5	Cat No.	Ratio	VA at CL 1.0
XM18-185035S000000	100/5A	1.5VA	XM18-185071S000000	100/5A	3.75VA
XM18-205055S000000	125/5A	2.5VA	XM18-205081S000000	125/5A	5VA
XM18-225075S000000	150/5A	3.75VA	XM18-225081S000000	150/5A	5VA
XM18-245085S000000	200/5A	5VA	XM18-245101S000000	200/5A	7.5VA
XM18-275105S000000	250/5A	7.5VA	XM18-275121S000000	250/5A	12.5VA
XM18-285115S000000	300/5A	10VA	XM18-285131S000000	300/5A	15VA
XM18-315135S000000	400/5A	15VA	XM18-315141S000000	400/5A	20VA
XM18-325145S000000	500/5A	20VA	XM18-325151S000000	500/5A	30VA
XM18-335155S000000	600/5A	30VA	XM18-335151S000000	600/5A	30VA
XM18-365155S000000	750/5A	30VA	XM18-365151S000000	750/5A	30VA
XM18-375155S000000	800/5A	30VA	XM18-375151S000000	800/5A	30VA
XM18-395155S000000	1000/5A	30VA	XM18-395151S000000	1000/5A	30VA

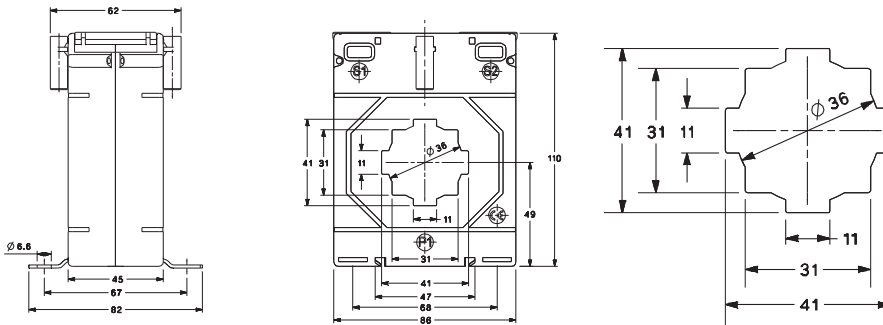
Primary Ratios available from 100A to 1000A

Primary Ratios available from 60A to 1000A

### LCTB 86/40



### Dimensions



### LCTB 86/50 (86mm wide x 45mm deep x (51 x 51mm) I.D.)

Cat No.	Ratio	VA at CL 0.5	Cat No.	Ratio	VA at CL 1.0
XM19-245085S000000	200/5A	5VA	XM19-245101S000000	200/5A	7.5VA
XM19-275105S000000	250/5A	7.5VA	XM19-275111S000000	250/5A	10VA
XM19-285105S000000	300/5A	7.5VA	XM19-285111S000000	300/5A	10VA
XM19-315135S000000	400/5A	15VA	XM19-315131S000000	400/5A	15VA
XM19-325135S000000	500/5A	15VA	XM19-325141S000000	500/5A	20VA
XM19-335135S000000	600/5A	15VA	XM19-335141S000000	600/5A	20VA
XM19-365135S000000	750/5A	15VA	XM19-365141S000000	750/5A	20VA
XM19-375145S000000	800/5A	20VA	XM19-375151S000000	800/5A	30VA
XM19-395155S000000	1000/5A	30VA	XM19-395151S000000	1000/5A	30VA
XM19-405155S000000	1200/5A	30VA	XM19-405151S000000	1200/5A	30VA
XM19-415155S000000	1250/5A	30VA	XM19-415151S000000	1250/5A	30VA

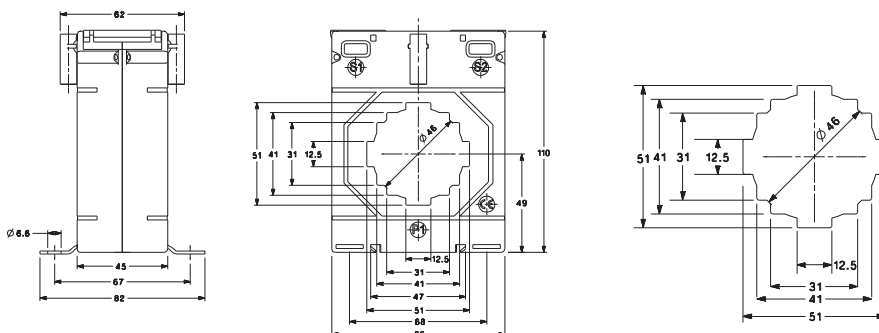
Primary Ratios available from 125A to 1250A

Primary Ratios available from 100A to 1250A

### LCTB 86/50



### Dimensions



## LCTB 86/60



### LCTB 86/60 (86mm wide x 45mm deep x (61 x 51mm) I.D.)

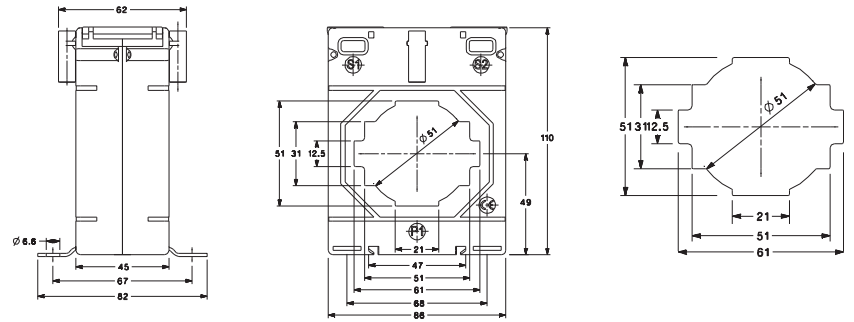
Cat No.	Ratio	VA at CL 0.5
XM20-275055S000000	250/5A	2.5VA
XM20-285085S000000	300/5A	5VA
XM20-315115S000000	400/5A	10VA
XM20-325115S000000	500/5A	10VA
XM20-335135S000000	600/5A	15VA
XM20-365135S000000	750/5A	15VA
XM20-375145S000000	800/5A	20VA
XM20-395145S000000	1000/5A	20VA
XM20-405145S000000	1200/5A	20VA
XM20-415145S000000	1250/5A	20VA
XM20-425145S000000	1500/5A	20VA
XM20-435145S000000	1600/5A	20VA

Primary Ratios available from 200A to 1600A

Cat No.	Ratio	VA at CL 1.0
XM20-275051S000000	250/5A	2.5VA
XM20-285081S000000	300/5A	5VA
XM20-315111S000000	400/5A	10VA
XM20-325111S000000	500/5A	10VA
XM20-335131S000000	600/5A	15VA
XM20-365141S000000	750/5A	20VA
XM20-375141S000000	800/5A	20VA
XM20-395141S000000	1000/5A	20VA
XM20-405141S000000	1200/5A	20VA
XM20-415141S000000	1250/5A	20VA
XM20-425141S000000	1500/5A	20VA
XM20-435141S000000	1600/5A	20VA

Primary Ratios available from 100A to 1600A

### Dimensions



## LCTB 104/60



### LCTB 104/60 (104mm wide x 45mm deep x (60 x 12mm) I.D.)

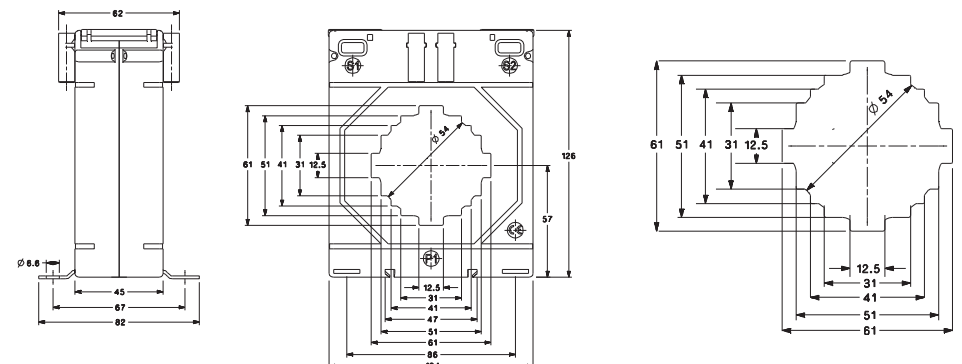
Cat No.	Ratio	VA at CL 0.5
XM21-275105S000000	250/5A	7.5VA
XM21-285115S000000	300/5A	10VA
XM21-315115S000000	400/5A	10VA
XM21-325135S000000	500/5A	15VA
XM21-335135S000000	600/5A	15VA
XM21-365145S000000	750/5A	20VA
XM21-375155S000000	800/5A	30VA
XM21-395155S000000	1000/5A	30VA
XM21-405155S000000	1200/5A	30VA
XM21-415155S000000	1250/5A	30VA
XM21-425155S000000	1500/5A	30VA
XM21-365155S000000	1600/5A	30VA

Primary Ratios available from 150A to 1600A

Cat No.	Ratio	VA at CL 1.0
XM21-275121S000000	250/5A	12.5VA
XM21-285131S000000	300/5A	15VA
XM21-315131S000000	400/5A	15VA
XM21-325141S000000	500/5A	20VA
XM21-335151S000000	600/5A	30VA
XM21-365151S000000	750/5A	30VA
XM21-375151S000000	800/5A	30VA
XM21-395161S000000	1000/5A	45VA
XM21-405161S000000	1200/5A	45VA
XM21-415161S000000	1250/5A	45VA
XM21-425161S000000	1500/5A	45VA
XM21-365161S000000	1600/5A	45VA

Primary Ratios available from 100A to 1600A

### Dimensions



All dimensions are in mm.

NOTE: Please consult Sifam Tinsley on 1A secondary for availability.

Features given vary from product to product - for more detailed product specific info please visit our website [www.sifamtinsley.co.uk](http://www.sifamtinsley.co.uk)

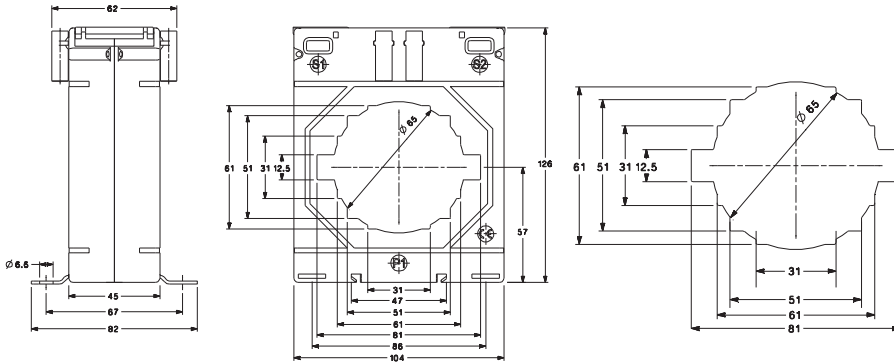
### LCTB 104/80 (104mm wide x 45mm deep x (80 x 12mm) I.D.)

Cat No.	Ratio	VA at CL 0.5	Cat No.	Ratio	VA at CL 1.0
XM22-275035S000000	250/5A	1.5VA	XM22-275051S000000	250/5A	2.5VA
XM22-285055S000000	300/5A	2.5VA	XM22-285101S000000	300/5A	7.5VA
XM22-315085S000000	400/5A	5VA	XM22-315111S000000	400/5A	10VA
XM22-325085S000000	500/5A	5VA	XM22-325111S000000	500/5A	10VA
XM22-335105S000000	600/5A	7.5VA	XM22-335121S000000	600/5A	12.5VA
XM22-365115S000000	750/5A	10VA	XM22-365131S000000	750/5A	15VA
XM22-375115S000000	800/5A	10VA	XM22-375131S000000	800/5A	15VA
XM22-395145S000000	1000/5A	20VA	XM22-395141S000000	1000/5A	20VA
XM22-405145S000000	1200/5A	20VA	XM22-405151S000000	1200/5A	30VA
XM22-415145S000000	1250/5A	20VA	XM22-415151S000000	1250/5A	30VA
XM22-425145S000000	1500/5A	20VA	XM22-425151S000000	1500/5A	30VA
XM22-435145S000000	1600/5A	20VA	XM22-435151S000000	1600/5A	30VA
XM22-445145S000000	2000/5A	20VA	XM22-445151S000000	2000/5A	30VA

Primary Ratios available from 250A to 2000A

Primary Ratios available from 200A to 2000A

### Dimensions



### LCTB 104/80



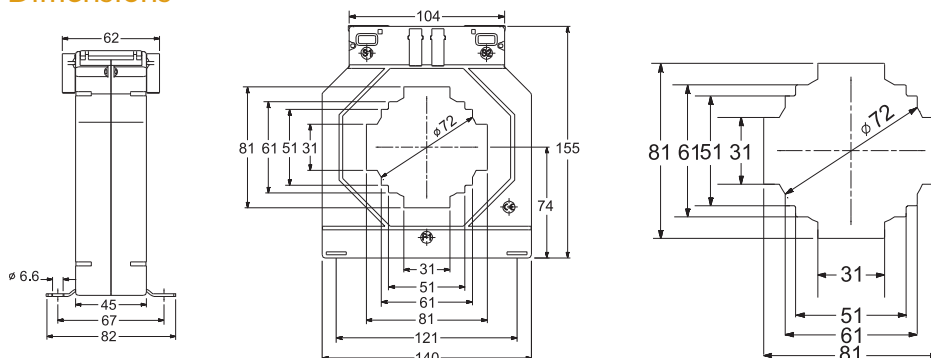
### LCTB 140/80 (140mm wide x 45mm deep x (80mm x 30mm) I.D.)

Cat No.	Ratio	VA at CL 0.5	Cat No.	Ratio	VA at CL 1.0
XM23-275085S000000	250/5A	5VA	XM23-275111S000000	250/5A	10VA
XM23-285105S000000	300/5A	7.5VA	XM23-285131S000000	300/5A	15VA
XM23-315115S000000	400/5A	10VA	XM23-315141S000000	400/5A	20VA
XM23-325135S000000	500/5A	15VA	XM23-325151S000000	500/5A	30VA
XM23-335135S000000	600/5A	15VA	XM23-335151S000000	600/5A	30VA
XM23-365135S000000	750/5A	15VA	XM23-365161S000000	750/5A	45VA
XM23-375135S000000	800/5A	15VA	XM23-375161S000000	800/5A	45VA
XM23-395155S000000	1000/5A	30VA	XM23-395171S000000	1000/5A	60VA
XM23-405155S000000	1200/5A	30VA	XM23-405171S000000	1200/5A	60VA
XM23-415175S000000	1250/5A	60VA	XM23-415171S000000	1250/5A	60VA
XM23-425175S000000	1500/5A	60VA	XM23-425171S000000	1500/5A	60VA
XM23-435175S000000	1600/5A	60VA	XM23-435171S000000	1600/5A	60VA
XM23-445175S000000	2000/5A	60VA	XM23-445171S000000	2000/5A	60VA

Primary Ratios available from 200A to 2000A

Primary Ratios available from 200A to 2000A

### Dimensions



### LCTB 140/80



## LCTB 140/100H



### LCTB 140/100H (140mm wide x 45mm deep x (100 x 30mm) I.D.)

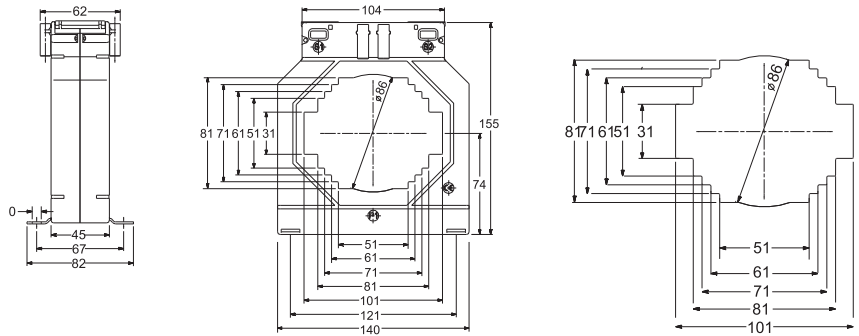
Cat No.	Ratio	VA at CL 0.5
XM24-325115S000000	500/5A	10VA
XM24-335115S000000	600/5A	10VA
XM24-365135S000000	750/5A	15VA
XM24-375135S000000	800/5A	15VA
XM24-395135S000000	1000/5A	15VA
XM24-405135S000000	1200/5A	15VA
XM24-415135S000000	1250/5A	15VA
XM24-425145S000000	1500/5A	20VA
XM24-435145S000000	1600/5A	20VA
XM24-445165S000000	2000/5A	45VA
XM24-466165S000000	2500/5A	45VA
XM24-485175S000000	3000/5A	60VA
XM24-515175S000000	4000/5A	60VA

Primary Ratios available from 200A to 4000A

Cat No.	Ratio	VA at CL 1.0
XM24-325151S000000	500/5A	12.5VA
XM24-335151S000000	600/5A	15VA
XM24-365161S000000	750/5A	20VA
XM24-375141S000000	800/5A	20VA
XM24-395141S000000	1000/5A	20VA
XM24-405151S000000	1200/5A	30VA
XM24-415151S000000	1250/5A	30VA
XM24-425151S000000	1500/5A	30VA
XM24-435161S000000	1600/5A	45VA
XM24-445161S000000	2000/5A	45VA
XM24-466161S000000	2500/5A	45VA
XM24-485171S000000	3000/5A	60VA
XM24-515171S000000	4000/5A	60VA

Primary Ratios available from 200A to 4000A

### Dimensions



## LCTB 140/100V



### LCTB 140/100V (140mm wide x 45mm deep x (81 x 101mm) I.D.)

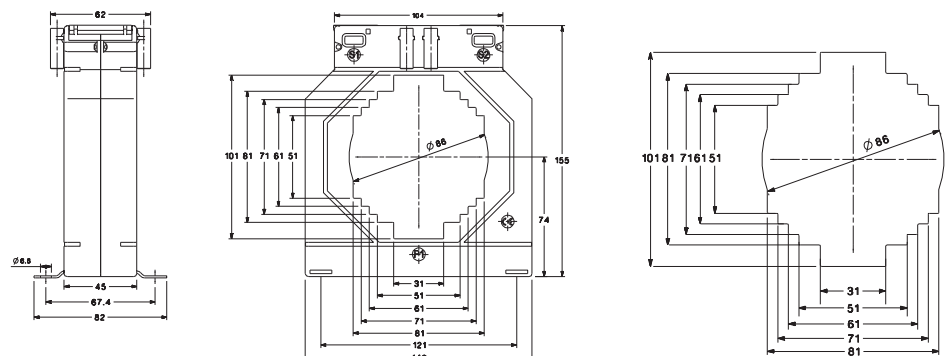
Cat No.	Ratio	VA at CL 0.5
XM25-325115S000000	500/5A	10VA
XM25-335125S000000	600/5A	12.5VA
XM25-365135S000000	750/5A	15VA
XM25-375135S000000	800/5A	15VA
XM25-395135S000000	1000/5A	15VA
XM25-405135S000000	1200/5A	15VA
XM25-415135S000000	1250/5A	15VA
XM25-425155S000000	1500/5A	30VA
XM25-435165S000000	1600/5A	45VA
XM25-445165S000000	2000/5A	45VA
XM25-466165S000000	2500/5A	45VA
XM25-485175S000000	3000/5A	60VA

Primary Ratios available from 200A to 3000A

Cat No.	Ratio	VA at CL 1.0
XM25-325121S000000	500/5A	12.5VA
XM25-335131S000000	600/5A	15VA
XM25-365141S000000	750/5A	20VA
XM25-375141S000000	800/5A	20VA
XM25-395141S000000	1000/5A	20VA
XM25-405151S000000	1200/5A	30VA
XM25-415151S000000	1250/5A	30VA
XM25-425151S000000	1500/5A	30VA
XM25-435161S000000	1600/5A	45VA
XM25-445161S000000	2000/5A	45VA
XM25-466161S000000	2500/5A	45VA
XM25-485171S000000	3000/5A	60VA

Primary Ratios available from 200A to 3000A

### Dimensions



All dimensions are in mm.

NOTE: Please consult Sifam Tinsley on 1A secondary for availability.

Features given vary from product to product - for more detailed product specific info please visit our website [www.sifamtinsley.co.uk](http://www.sifamtinsley.co.uk)



### LCTB 100/100V (140mm wide x 45mm deep x (41 x 103mm) I.D.)

Cat No.	Ratio	VA at CL 0.5
XR01-335055S000000	600/5A	2.5VA
XR01-365055S000000	750/5A	2.5VA
XR01-375085S000000	800/5A	5VA
XR01-395115S000000	1000/5A	10VA
XR01-405115S000000	1200/5A	10VA
XR01-415115S000000	1250/5A	10VA
XR01-425135S000000	1500/5A	15VA
XR01-435135S000000	1600/5A	15VA
XR01-445135S000000	2000/5A	15VA
XR01-465135S000000	2500/5A	15VA

Primary Ratios available from 400A to 2500A

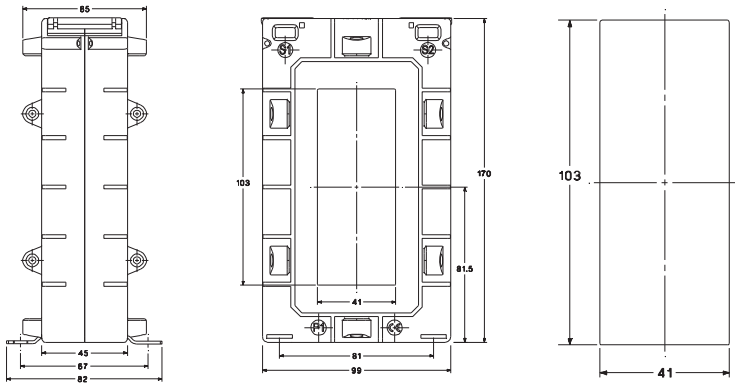
Cat No.	Ratio	VA at CL 1.0
XR01-335081S000000	600/5A	5VA
XR01-365081S000000	750/5A	5VA
XR01-375111S000000	800/5A	10VA
XR01-395131S000000	1000/5A	15VA
XR01-405131S000000	1200/5A	15VA
XR01-415131S000000	1250/5A	15VA
XR01-425151S000000	1500/5A	30VA
XR01-435151S000000	1600/5A	30VA
XR01-445151S000000	2000/5A	30VA
XR01-466141S000000	2500/5A	20VA

Primary Ratios available from 400A to 2500A

### LCTB 100/100V



### Dimensions



### LCTB 100/130V (140mm wide x 45mm deep x (38 x 128mm) I.D.)

Cat No.	Ratio	VA at CL 0.5
XR02-335055S000000	600/5A	2.5VA
XR02-365055S000000	750/5A	2.5VA
XR02-375085S000000	800/5A	5VA
XR02-395115S000000	1000/5A	10VA
XR02-405115S000000	1200/5A	10VA
XR02-415115S000000	1250/5A	10VA
XR02-425135S000000	1500/5A	15VA
XR02-435135S000000	1600/5A	15VA
XR02-445135S000000	2000/5A	15VA
XR02-466135S000000	2500/5A	15VA
XR02-486115S000000	3000/5A	10VA
XR02-496115S000000	3200/5A	10VA

Primary Ratios available from 400A to 3200A

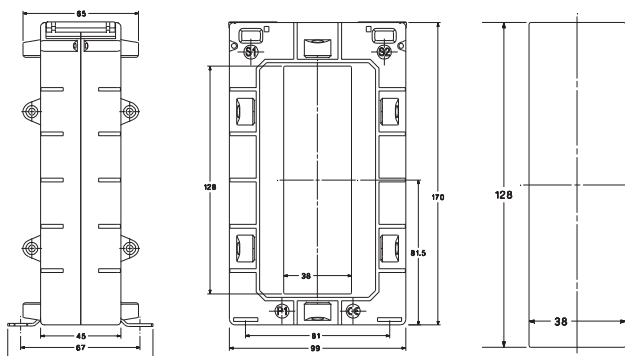
Cat No.	Ratio	VA at CL 1.0
XR02-335081S000000	600/5A	5VA
XR02-365081S000000	750/5A	5VA
XR02-375111S000000	800/5A	10VA
XR02-395131S000000	1000/5A	15VA
XR02-405131S000000	1200/5A	15VA
XR02-415131S000000	1250/5A	15VA
XR02-425151S000000	1500/5A	30VA
XR02-435151S000000	1600/5A	30VA
XR02-445151S000000	2000/5A	30VA
XR02-46615S000000	2500/5A	30VA
XR02-486121S000000	3000/5A	12.5VA
XR02-496121S000000	3200/5A	12.5VA

Primary Ratios available from 400A to 3200A

### LCTB 100/130V



### Dimensions



## LCTB 140/130V



### LCTB 140/130V (140mm wide x 45mm deep x (70 x 130mm) I.D.)

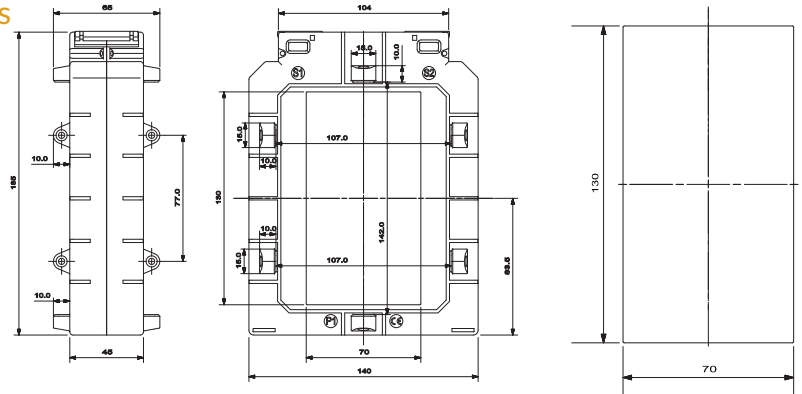
Cat No.	Ratio	VA at CL 0.5
XR03-335055S000000	600/5A	3.75VA
XR03-365055S000000	750/5A	5VA
XR03-375085S000000	800/5A	5VA
XR03-395115S000000	1000/5A	10VA
XR03-405115S000000	1200/5A	10VA
XR03-415115S000000	1250/5A	10VA
XR03-425135S000000	1500/5A	15VA
XR03-435135S000000	1600/5A	15VA
XR03-445145S000000	2000/5A	20VA
XR03-466145S000000	2500/5A	20VA
XR03-486145S000000	3000/5A	20VA
XR03-496145S000000	3200/5A	20VA
XR03-516145S000000	4000/5A	20VA
XR03-526145S000000	5000/5A	20VA

Primary Ratios available from 400A to 5000A

Cat No.	Ratio	VA at CL 1.0
XR03-335081S000000	600/5A	5VA
XR03-365101S000000	750/5A	7.5VA
XR03-375101S000000	800/5A	7.5VA
XR03-395111S000000	1000/5A	10VA
XR03-405131S000000	1200/5A	15VA
XR03-415131S000000	1250/5A	15VA
XR03-425131S000000	1500/5A	15VA
XR03-435131S000000	1600/5A	15VA
XR03-445141S000000	2000/5A	20VA
XR03-466141S000000	2500/5A	20VA
XR03-486141S000000	3000/5A	20VA
XR03-496141S000000	3200/5A	20VA
XR03-516141S000000	4000/5A	20VA
XR03-526141S000000	5000/5A	20VA

Primary Ratios available from 400A to 5000A

### Dimensions



## LCTB 225/125



### LCTB 225/125 (225mm wide x 50mm deep x (125mm x 93mm) I.D.)

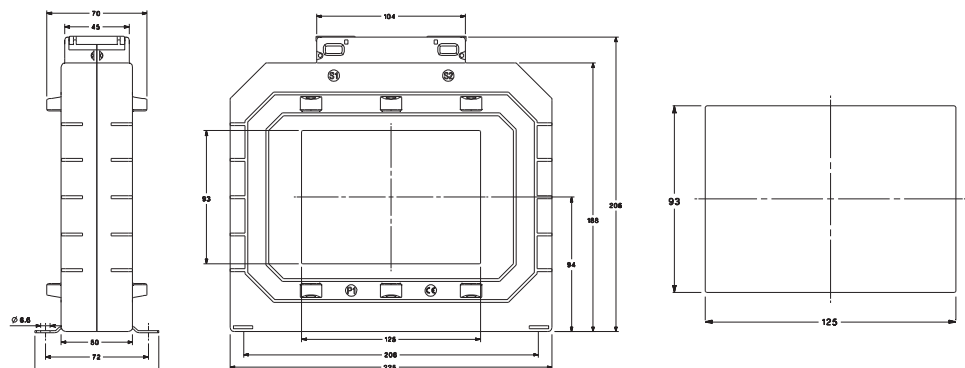
Cat No.	Ratio	VA at CL 0.5
XR04-395115S000000	1000/5A	10VA
XR04-405115S000000	1200/5A	10VA
XR04-415115S000000	1250/5A	10VA
XR04-425135S000000	1500/5A	15VA
XR04-435135S000000	1600/5A	15VA
XR04-445135S000000	2000/5A	15VA
XR04-465155S000000	2500/5A	30VA
XR04-485155S000000	3000/5A	30VA
XR04-515165S000000	4000/5A	45VA
XR04-525185S000000	5000/5A	100VA
XR04-535185S000000	6000/5A	100VA

Primary Ratios available from 600A to 6000A

Cat No.	Ratio	VA at CL 1.0
XR04-395131S000000	1000/5A	15VA
XR04-405131S000000	1200/5A	15VA
XR04-415131S000000	1250/5A	15VA
XR04-425151S000000	1500/5A	30VA
XR04-435151S000000	1600/5A	30VA
XR04-445151S000000	2000/5A	30VA
XR04-465151S000000	2500/5A	30VA
XR04-485171S000000	3000/5A	60VA
XR04-515171S000000	4000/5A	60VA
XR04-525181S000000	5000/5A	100VA
XR04-535181S000000	6000/5A	100VA

Primary Ratios available from 200A to 3000A

### Dimensions



All dimensions are in mm.

NOTE: Please consult Sifam Tinsley on 1A secondary for availability.

Features given vary from product to product - for more detailed product specific info please visit our website [www.sifamtinsley.co.uk](http://www.sifamtinsley.co.uk)

### LCTB 225/167 (225mm wide x 50mm deep x (167mm x 66mm) I.D.)

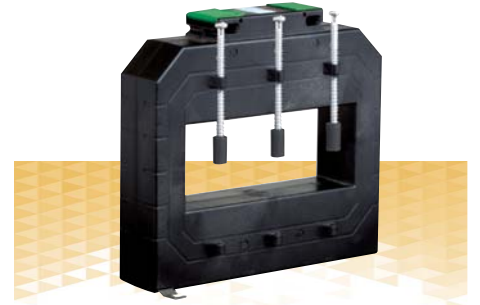
Cat No.	Ratio	VA at CL 0.5
XR05-395085S000000	1000/5A	5VA
XR05-405115S000000	1200/5A	10VA
XR05-415115S000000	1250/5A	10VA
XR05-425135S000000	1500/5A	15VA
XR05-435135S000000	1600/5A	15VA
XR05-445155S000000	2000/5A	30VA
XR05-465155S000000	2500/5A	30VA
XR05-485155S000000	3000/5A	30VA
XR05-515155S000000	4000/5A	30VA
XR05-525155S000000	5000/5A	30VA
XR05-535155S000000	6000/5A	30VA
XR05-545155S000000	7500/5A	30VA

Primary Ratios available from 1000A to 7500A

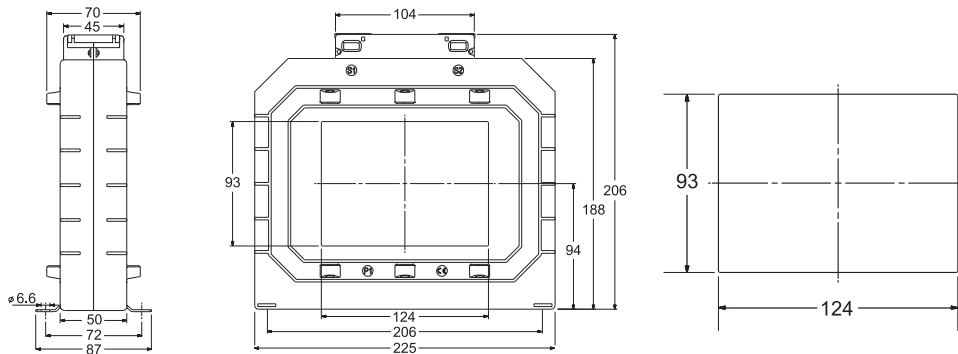
Cat No.	Ratio	VA at CL 1.0
XR05-395111S000000	1000/5A	10VA
XR05-405131S000000	1200/5A	15VA
XR05-415131S000000	1250/5A	15VA
XR05-425151S000000	1500/5A	30VA
XR05-435151S000000	1600/5A	30VA
XR05-445151S000000	2000/5A	30VA
XR05-465151S000000	2500/5A	45VA
XR05-485161S000000	3000/5A	45VA
XR05-515161S000000	4000/5A	45VA
XR05-525161S000000	5000/5A	45VA
XR05-535161S000000	6000/5A	45VA
XR05-545165S000000	7500/5A	45VA

Primary Ratios available from 1000A to 7500A

### LCTB 225/167



### Dimensions



### LCTB 130/100V (140mm wide x 45mm deep x (101 x 56mm) I.D.)

Cat No.	Ratio	VA at CL 0.5
XR06-335111S000000	600/5A	10VA
XR06-365111S000000	750/5A	10VA
XR06-375111S000000	800/5A	10VA
XR06-395131S000000	1000/5A	15VA
XR06-405131S000000	1200/5A	15VA
XR06-415131S000000	1250/5A	15VA
XR06-425131S000000	1500/5A	15VA
XR06-435131S000000	1600/5A	15VA
XR06-445131S000000	2000/5A	15VA
XR06-466131S000000	2500/5A	15VA
XR06-485131S000000	3000/5A	15VA

Primary Ratios available from 600A to 3000A

Cat No.	Ratio	VA at CL 1.0
XR06-335115S000000	600/5A	10VA
XR06-365115S000000	750/5A	10VA
XR06-375115S000000	800/5A	10VA
XR06-395135S000000	1000/5A	15VA
XR06-405135S000000	1200/5A	15VA
XR06-415135S000000	1250/5A	15VA
XR06-425135S000000	1500/5A	15VA
XR06-435135S000000	1600/5A	15VA
XR06-445135S000000	2000/5A	15VA
XR06-466135S000000	2500/5A	15VA
XR06-485135S000000	3000/5A	15VA

Primary Ratios available from 600A to 3000A

### LCTB 130/100V



### Dimensions

