



Technical Data Sheet



# *Omega Split Core Current Transformer Series*

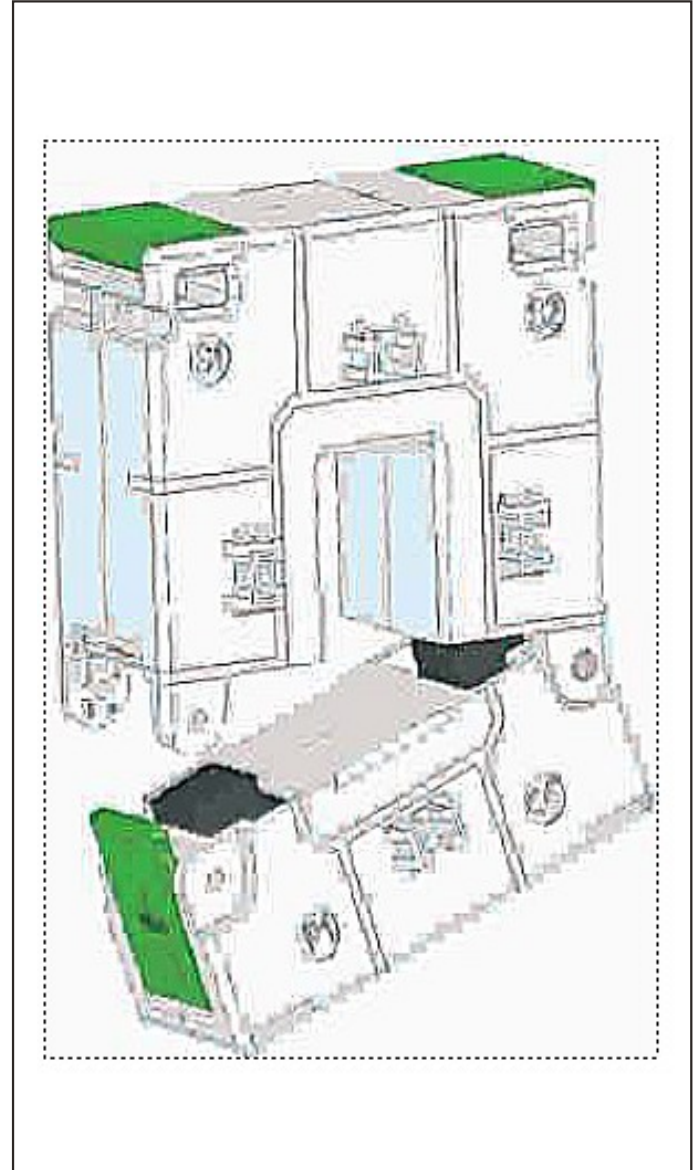
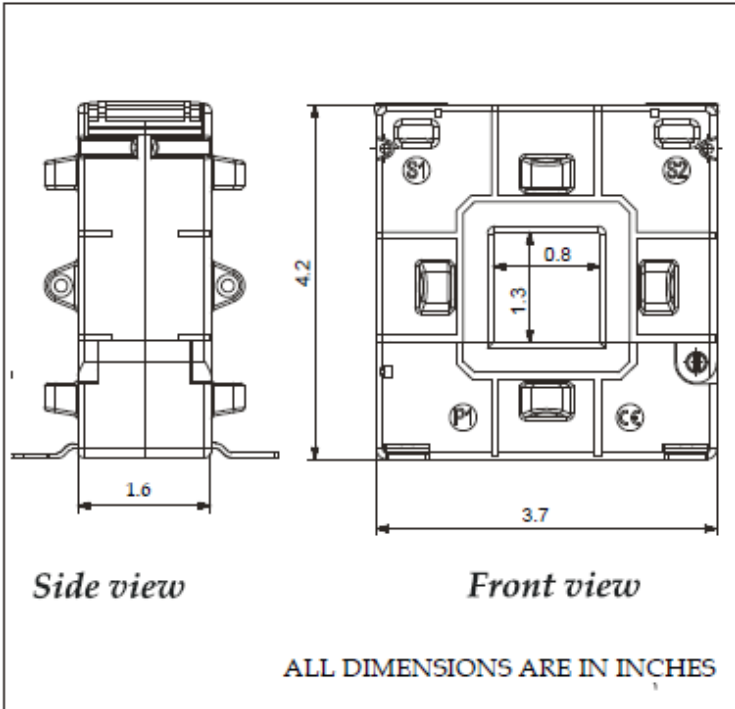


*Omega 10A Series* is a range of split core current transformers that offers a cost effective and efficient method by which the current can be measured without the need to break the conductor, thereby reducing installation and commissioning time.

# Omega Split Core Current Transformer Series

## Omega 10A 93/30 SC (40)

Omega 10A



Primary Current	VA			OD/ID (Axial)
	Class 0.5	Class 1	Class 3	
100	-	1.5VA	3.5VA	3.7/1.2 (1.6)
150	-	1.75VA	3.75VA	3.7/1.2 (1.6)
200	-	2.5VA	5VA	3.7/1.2 (1.6)
250	-	3.75VA	6.25VA	3.7/1.2 (1.6)
300	2.5VA	5VA	6.25VA	3.7/1.2 (1.6)
400	3.75VA	6.25VA	10VA	3.7/1.2 (1.6)

# Omega Split Core Current Transformer Series

## Specifications

- System voltage 720V (0.72kV) maximum
- Test voltage 3kV for 1 minute
- System frequency 50 or 60 Hz
- Insulation class E
- Overload withstand 1.2 times rated current continuously
- Short circuit thermal 100 x rated primary for 1 second
- Operating temperature 20°C to 70°C
- Relative humidity 0-90% (non condensing)
- Compliant with IEC 60044-1. Bs7626
- Accuracy Class 3, 1 & 0.5
- Rated dynamic current = 2.55 x I<sub>ht</sub>
- Enclosure flame retardant grade classified UL 94V-O

## Applications

- Switchgear
- Distribution system
- Generator sets
- Control panels
- Overload protection
- Control devices



**sifam tinsley**  
PRECISION INSTRUMENTATION

**Sifam Tinsley Instrumentation Inc.**  
3105, Creekside Village Drive,  
Suite No. 801, Kennesaw,  
Georgia 30144 (USA)  
**E-mail Id :** [psk@sifamtinsley.com](mailto:psk@sifamtinsley.com)  
**Web :** [www.sifamtinsley.com](http://www.sifamtinsley.com)  
**Contact No. :** +1 404 736 4903

**Sifam Tinsley Instrumentation Ltd**  
Unit 1 Warner Drive,  
Springwood Industrial Estate  
Braintree, Essex, UK, CM72YW  
**E-mail:** [sales@sifamtinsley.com](mailto:sales@sifamtinsley.com)  
**Web:** [www.sifamtinsley.com/uk](http://www.sifamtinsley.com/uk)  
**Contact:** +44(0)1803615139



Technical Data Sheet



# *Omega Split Core Current Transformer Series*

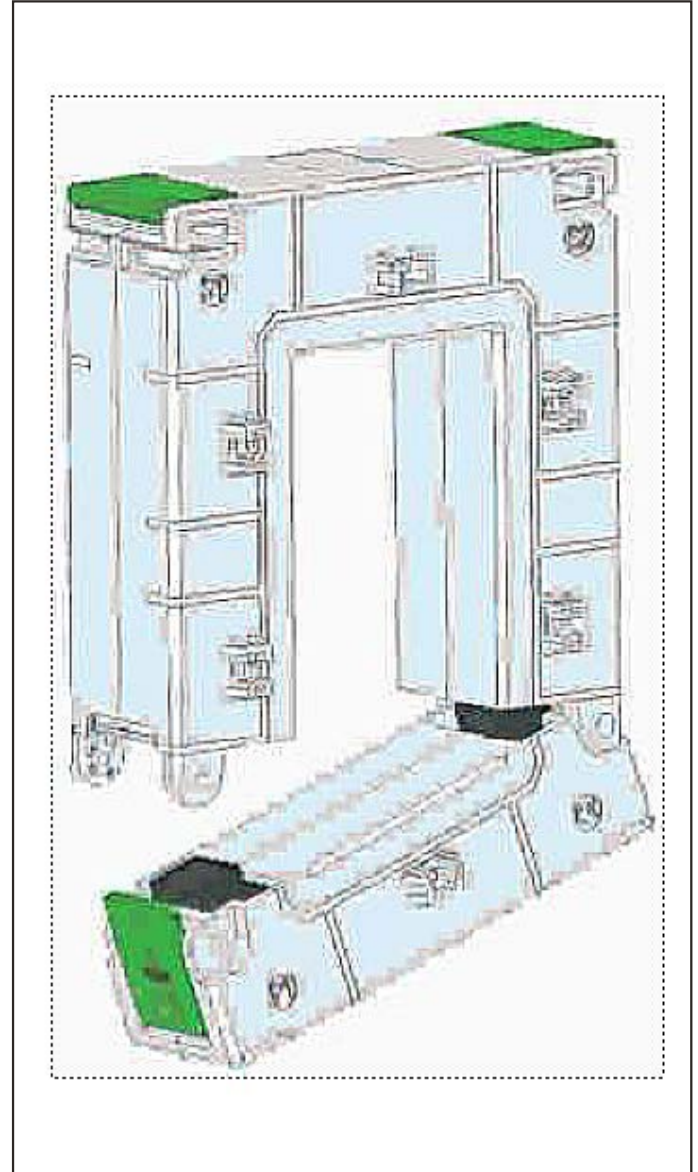
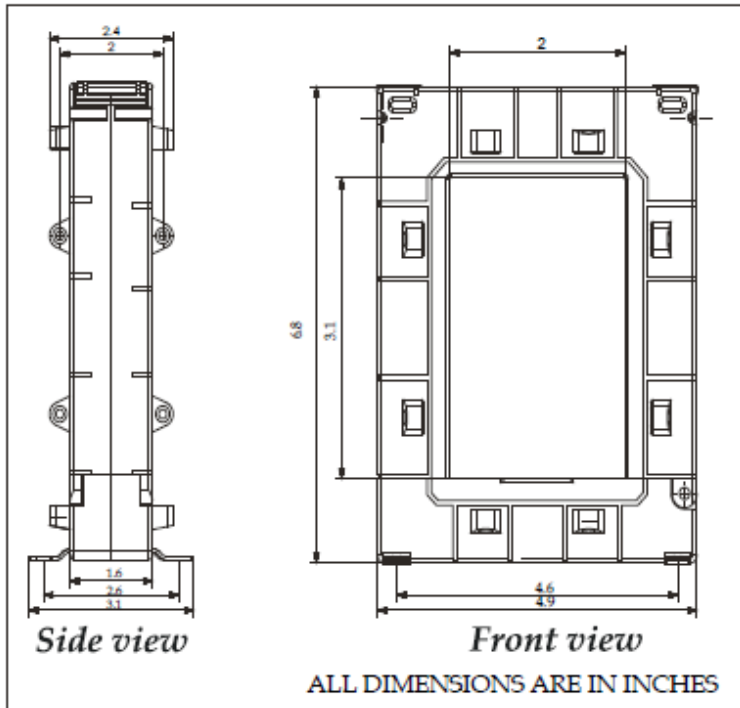


*Omega 10B Series* is a range of split core current transformers that offers a cost effective and efficient method by which the current can be measured without the need to break the conductor, thereby reducing installation and commissioning time.

# Omega Split Core Current Transformer Series

## Omega 10B 125/50 SC (40)

Omega 10B



Primary Current	VA		OD/ID (Axial)
	Class 0.5	Class 1	
250	1VA	2.5VA	4.9/ 2 (1.6)
300	2.5VA	3.75VA	4.9/ 2 (1.6)
400	2.5VA	3.75VA	4.9/ 2 (1.6)
500	3.75VA	5VA	4.9/ 2 (1.6)
600	5VA	7.5VA	4.9/ 2 (1.6)
750	7.5VA	10VA	4.9/ 2 (1.6)
800	7.5VA	10VA	4.9/ 2 (1.6)
1000	10VA	15VA	4.9/ 2 (1.6)
1200	10VA	15VA	4.9/ 2 (1.6)
1250	10VA	15VA	4.9/ 2 (1.6)
1500	10VA	15VA	4.9/ 2 (1.6)
1600	10VA	15VA	4.9/ 2 (1.6)



# Omega Split Core Current Transformer Series

## Specifications

- System voltage 720V (0.72kV) maximum
- Test voltage 3kV for 1 minute
- System frequency 50 or 60 Hz
- Insulation class E
- Overload withstand 1.2 times rated current continuously
- Short circuit thermal 100 x rated primary for 1 second
- Operating temperature 20°C to 70°C
- Relative humidity 0-90% (non condensing)
- Compliant with IEC 60044-1. Bs7626
- Accuracy Class 3, 1 & 0.5
- Rated dynamic current = 2.55 x I<sub>ht</sub>
- Enclosure flame retardant grade classified UL 94V-O

## Applications

- Switchgear
- Distribution system
- Generator sets
- Control panels
- Overload protection
- Control devices



**sifam tinsley**  
PRECISION INSTRUMENTATION

**Sifam Tinsley Instrumentation Inc.**  
3105, Creekside Village Drive,  
Suite No. 801, Kennesaw,  
Georgia 30144 (USA)  
**E-mail Id :** [psk@sifamtinsley.com](mailto:psk@sifamtinsley.com)  
**Web :** [www.sifamtinsley.com](http://www.sifamtinsley.com)  
**Contact No. :** +1 404 736 4903

**Sifam Tinsley Instrumentation Ltd**  
Unit 1 Warner Drive,  
Springwood Industrial Estate  
Braintree, Essex, UK, CM72YW  
**E-mail:** [sales@sifamtinsley.com](mailto:sales@sifamtinsley.com)  
**Web:** [www.sifamtinsley.com/uk](http://www.sifamtinsley.com/uk)  
**Contact:** +44(0)1803615139



Technical Data Sheet



# *Omega Split Core Current Transformer Series*

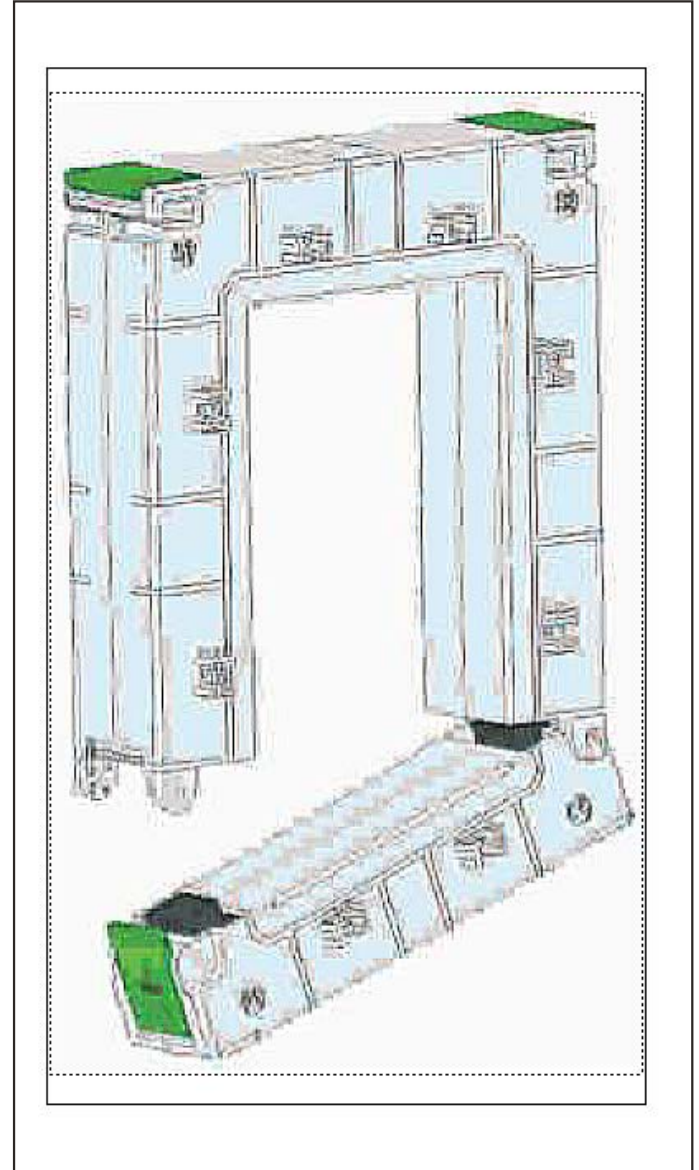
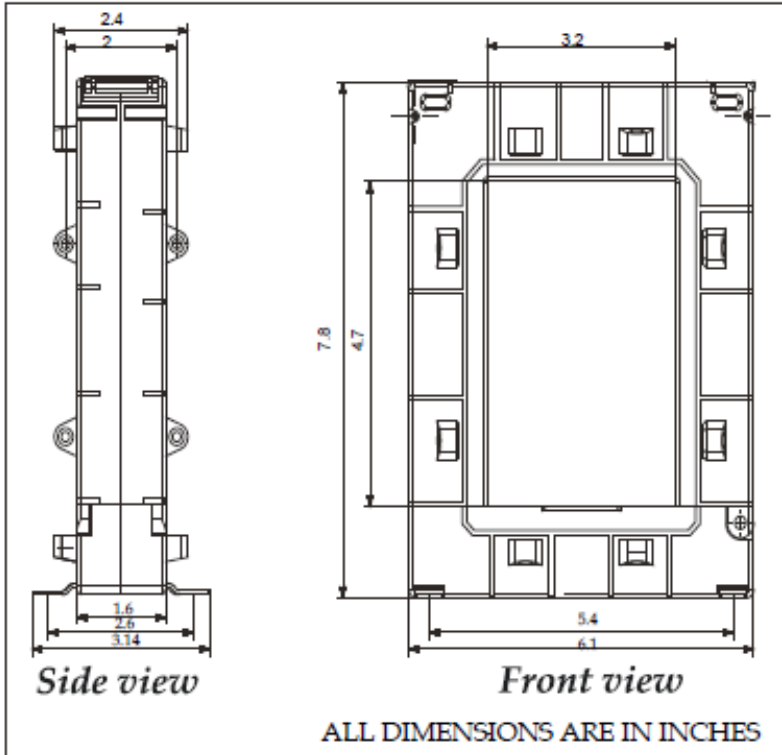


*Omega 10C Series* is a range of split core current transformers that offers a cost effective and efficient method by which the current can be measured without the need to break the conductor, thereby reducing installation and commissioning time.

# Omega Split Core Current Transformer Series

## Omega 10C 155/80 SC (40)

Omega 10C



Primary Current	VA		OD/ID (Axial)
	Class 0.5	Class 1	
250	1VA	2.5VA	6.1/3.2 (1.6)
300	2.5VA	3.75VA	6.1/3.2 (1.6)
400	2.5VA	3.75VA	6.1/3.2 (1.6)
500	3.75VA	5VA	6.1/3.2 (1.6)
600	5VA	7.5VA	6.1/3.2(1.6)
750	7.5VA	10VA	6.1/3.2(1.6)
800	7.5VA	10VA	6.1/3.2(1.6)
1000	10VA	15VA	6.1/3.2(1.6)
1200	15VA	30VA	6.1/3.2(1.6)
1250	15VA	30VA	6.1/3.2(1.6)
1500	20VA	45VA	6.1/3.2(1.6)
1600	20VA	45VA	6.1/3.2(1.6)
2000	20VA	45VA	6.1/3.2(1.6)
2500	25VA	45VA	6.1/3.2(1.6)
3000	30VA	45VA	6.1/3.2(1.6)



# Omega Split Core Current Transformer Series

## Specifications

- System voltage 720V (0.72kV) maximum
- Test voltage 3kV for 1 minute
- System frequency 50 or 60 Hz
- Insulation class E
- Overload withstand 1.2 times rated current continuously
- Short circuit thermal 100 x rated primary for 1 second
- Operating temperature 20°C to 70°C
- Relative humidity 0-90% (non condensing)
- Compliant with IEC 60044-1. Bs7626
- Accuracy Class 3, 1 & 0.5
- Rated dynamic current = 2.55 x I<sub>ht</sub>
- Enclosure flame retardant grade classified UL 94V-O

## Applications

- Switchgear
- Distribution system
- Generator sets
- Control panels
- Overload protection
- Control devices



**sifam tinsley**  
PRECISION INSTRUMENTATION

**Sifam Tinsley Instrumentation Inc.**  
3105, Creekside Village Drive,  
Suite No. 801, Kennesaw,  
Georgia 30144 (USA)  
**E-mail Id :** [psk@sifamtinsley.com](mailto:psk@sifamtinsley.com)  
**Web :** [www.sifamtinsley.com](http://www.sifamtinsley.com)  
**Contact No. :** +1 404 736 4903

**Sifam Tinsley Instrumentation Ltd**  
Unit 1 Warner Drive,  
Springwood Industrial Estate  
Braintree, Essex, UK, CM72YW  
**E-mail:** [sales@sifamtinsley.com](mailto:sales@sifamtinsley.com)  
**Web:** [www.sifamtinsley.com/uk](http://www.sifamtinsley.com/uk)  
**Contact:** +44(0)1803615139



Technical Data Sheet



# *Omega Split Core Current Transformer Series*

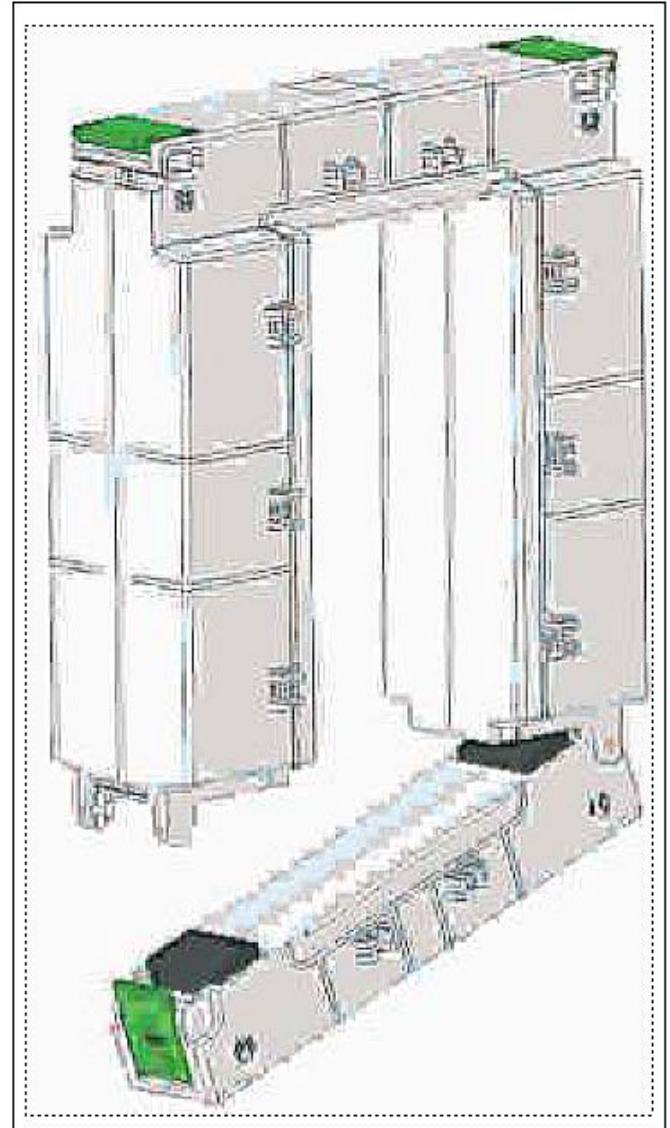
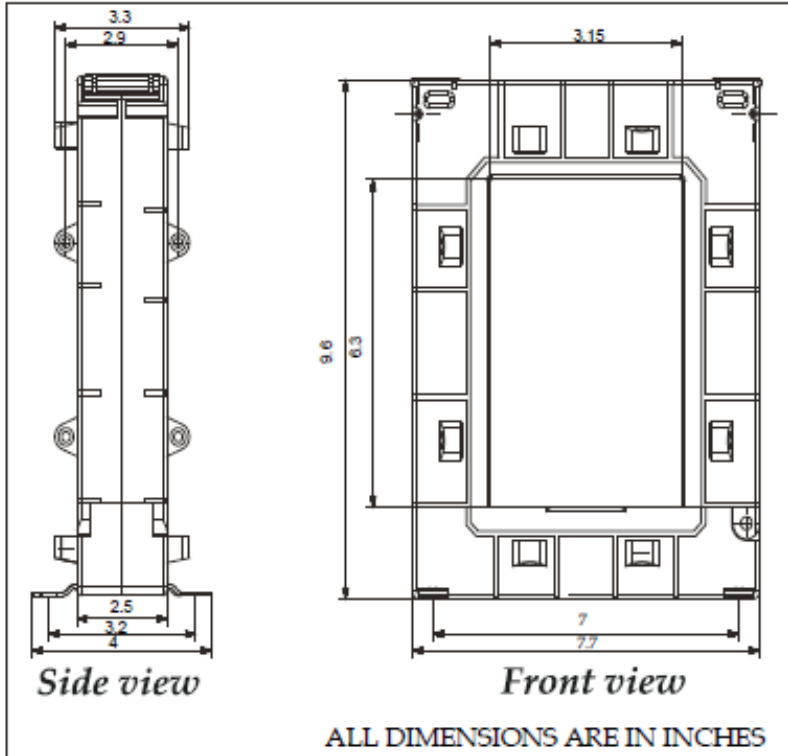


*Omega 10D Series* is a range of split core current transformers that offers a cost effective and efficient method by which the current can be measured without the need to break the conductor, thereby reducing installation and commissioning time.

# Omega Split Core Current Transformer Series

## Omega 10D 195/80 SC (40)

Omega 10D



Primary Current	VA		OD/ID (Axial)
	Class 0.5	Class 1	
500	1.25VA	5VA	7.7/3.2 (2.5)
600	1.25VA	5VA	7.7/3.2 (2.5)
750	5VA	10VA	7.7/3.2 (2.5)
800	7.5VA	10VA	7.7/3.2 (2.5)
1000	10VA	20VA	7.7/3.2 (2.5)
1200	15VA	20VA	7.7/3.2 (2.5)
1250	15VA	20VA	7.7/3.2 (2.5)
1500	20VA	30VA	7.7/3.2 (2.5)
1600	20VA	30VA	7.7/3.2 (2.5)
2000	25VA	30VA	7.7/3.2 (2.5)
2500	25VA	30VA	7.7/3.2 (2.5)
3000	30VA	45VA	7.7/3.2 (2.5)
4000	30VA	45VA	7.7/3.2 (2.5)
5000	30VA	45VA	7.7/3.2 (2.5)

# Omega Split Core Current Transformer Series

## Specifications

- System voltage 720V (0.72kV) maximum
- Test voltage 3kV for 1 minute
- System frequency 50 or 60 Hz
- Insulation class E
- Overload withstand 1.2 times rated current continuously
- Short circuit thermal 100 x rated primary for 1 second
- Operating temperature 20°C to 70°C
- Relative humidity 0-90% (non condensing)
- Compliant with IEC 60044-1. Bs7626
- Accuracy Class 3, 1 & 0.5
- Rated dynamic current = 2.55 x I<sub>ht</sub>
- Enclosure flame retardant grade classified UL 94V-O

## Applications

- Switchgear
- Distribution system
- Generator sets
- Control panels
- Overload protection
- Control devices



**sifam tinsley**  
PRECISION INSTRUMENTATION

**Sifam Tinsley Instrumentation Inc.**  
3105, Creekside Village Drive,  
Suite No. 801, Kennesaw,  
Georgia 30144 (USA)  
**E-mail Id :** [psk@sifamtinsley.com](mailto:psk@sifamtinsley.com)  
**Web :** [www.sifamtinsley.com](http://www.sifamtinsley.com)  
**Contact No. :** +1 404 736 4903

**Sifam Tinsley Instrumentation Ltd**  
Unit 1 Warner Drive,  
Springwood Industrial Estate  
Braintree, Essex, UK, CM72YW  
**E-mail:** [sales@sifamtinsley.com](mailto:sales@sifamtinsley.com)  
**Web:** [www.sifamtinsley.com/uk](http://www.sifamtinsley.com/uk)  
**Contact:** +44(0)1803615139



Technical Data Sheet



# *Omega Split Core Current Transformer Series*



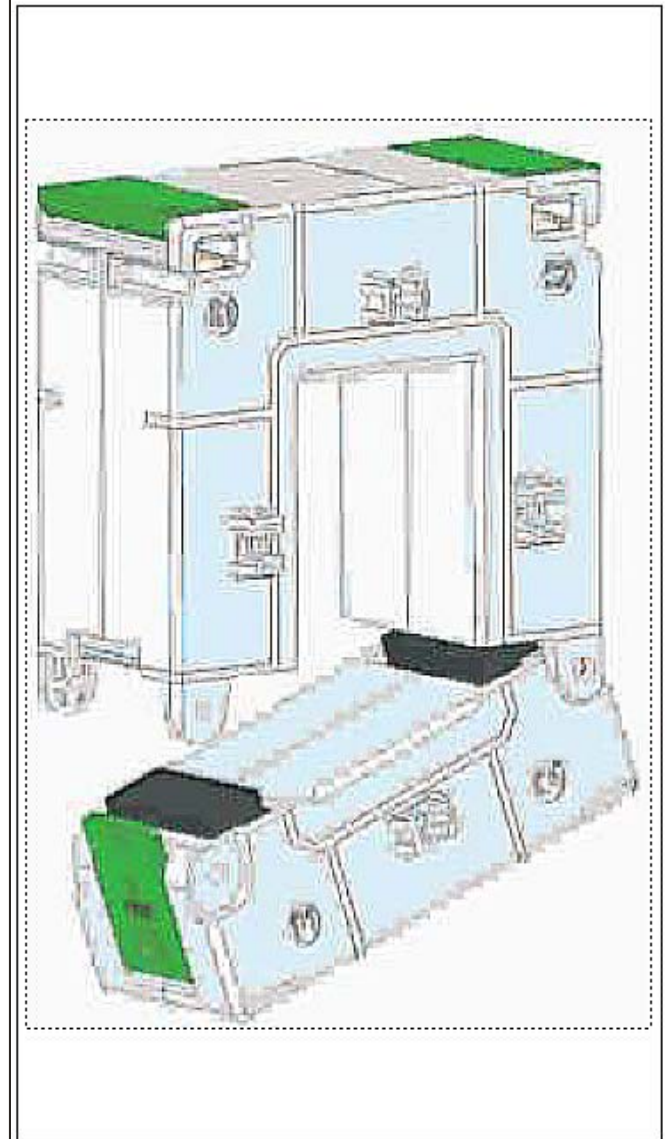
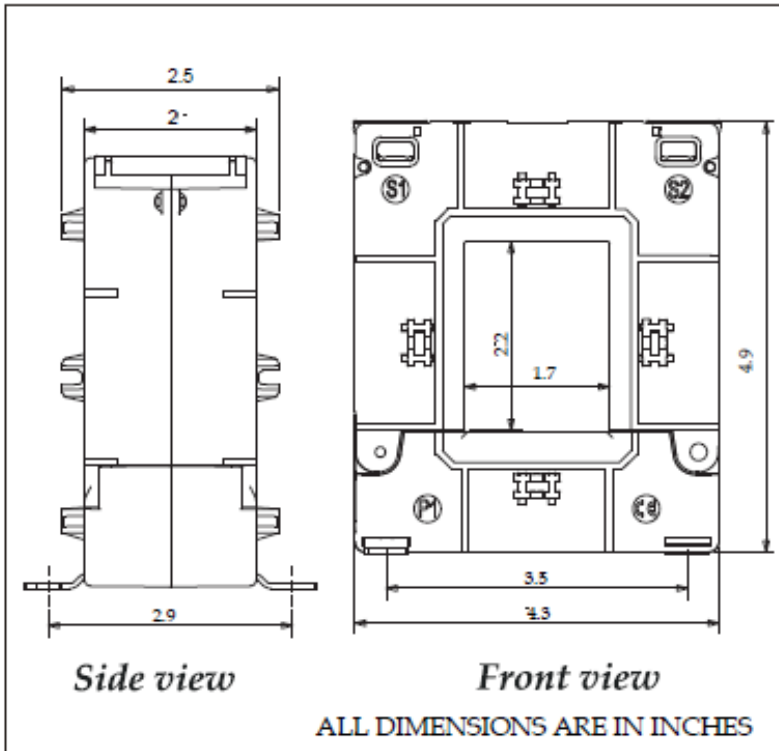
*Omega 10E Series* is a range of split core current transformers that offers a cost effective and efficient method by which the current can be measured without the need to break the conductor, thereby reducing installation and commissioning time.



# Omega Split Core Current Transformer Series

## Omega 10E 105/50 SC (50)

Omega 10E



Primary Current	VA		OD/ID (Axial)
	Class 0.5	Class 1	
100	-	1.5VA	4.1/2(2)
125	-	1.5VA	4.1/2(2)
150	-	1.75VA	4.1/2(2)
200	1.5VA	3.75VA	4.1/2(2)
250	2.5VA	5VA	4.1/2(2)
300	2.5VA	5VA	4.1/2(2)
400	5VA	7.5VA	4.1/2(2)
500	5VA	7.5VA	4.1/2(2)
600	6.25VA	10VA	4.1/2(2)
750	7.5VA	12.5VA	4.1/2(2)
800	7.5VA	12.5VA	4.1/2(2)

# Omega Split Core Current Transformer Series

## Specifications

- System voltage 720V (0.72kV) maximum
- Test voltage 3kV for 1 minute
- System frequency 50 or 60 Hz
- Insulation class E
- Overload withstand 1.2 times rated current continuously
- Short circuit thermal 100 x rated primary for 1 second
- Operating temperature 20°C to 70°C
- Relative humidity 0-90% (non condensing)
- Compliant with IEC 60044-1. Bs7626
- Accuracy Class 3, 1 & 0.5
- Rated dynamic current = 2.55 x I<sub>ht</sub>
- Enclosure flame retardant grade classified UL 94V-O

## Applications

- Switchgear
- Distribution system
- Generator sets
- Control panels
- Overload protection
- Control devices



**sifam tinsley**  
PRECISION INSTRUMENTATION

**Sifam Tinsley Instrumentation Inc.**  
3105, Creekside Village Drive,  
Suite No. 801, Kennesaw,  
Georgia 30144 (USA)  
**E-mail Id :** [psk@sifamtinsley.com](mailto:psk@sifamtinsley.com)  
**Web :** [www.sifamtinsley.com](http://www.sifamtinsley.com)  
**Contact No. :** +1 404 736 4903

**Sifam Tinsley Instrumentation Ltd**  
Unit 1 Warner Drive,  
Springwood Industrial Estate  
Braintree, Essex, UK, CM72YW  
**E-mail:** [sales@sifamtinsley.com](mailto:sales@sifamtinsley.com)  
**Web:** [www.sifamtinsley.com/uk](http://www.sifamtinsley.com/uk)  
**Contact:** +44(0)1803615139