

RE55 CONTROLLER

FEATURES:

- on/off algorithm
- Password protection
- PID algorithm
- Auto-tuning



- Temperature input (thermocouple or resistance thermometer).
- Control output: relay or transistor.
- Alarm output: relay (option).
- Control: on/off of PID with auto-tuning (option).
- Setting of the set point value by means of the knob.
- Programming push-buttons (option).

INPUT:

-
-

OUTPUTS:

- SSR output
-

GALVANIC ISOLATION:

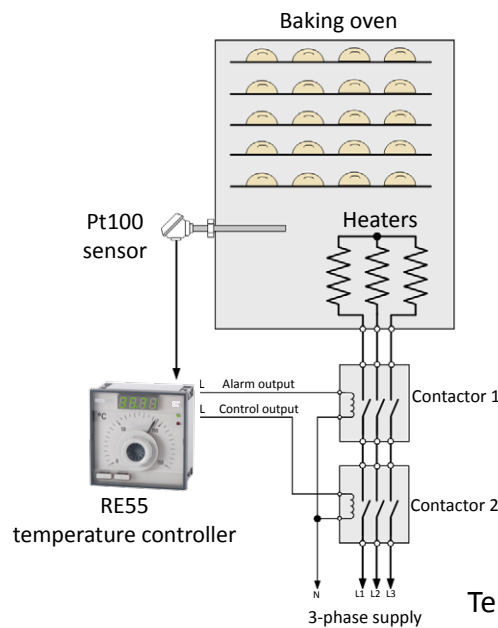
-
-
-
-

Sifam Tinsley Instrumentation Ltd
 Unit 1 Warner Drive,
 Springwood Industrial Estate
 Braintree, Essex, UK, CM72YW
 E-mail: sales@sifamtinsley.com
 Web: www.sifamtinsley.com/uk
 Contact: +44(0)1803615139



Sifam Tinsley Instrumentation Inc.
 3105, Creekside Village Drive,
 Suite No. 801, Kennesaw,
 Georgia 30144 (USA)
 E-mail: psk@sifamtinsley.com
 Web: www.sifamtinsley.com
 Contact No.: +1 404 736 4903

EXAMPLE OF APPLICATION



INPUT

Input type	Range	Error	Basic error
Pt100	-50 .. 100°C	0.8°C	Compensation of thermocouple cold junction temperature changes: ≤ 2°C
Pt100	0 .. 100°C	0.5°C	
Pt100	0 .. 150°C	0.8°C	
Pt100	0 .. 250°C	1.3°C	Ambient temperature change: ≤ 100% of basic error/ 10 K
Pt100	0 .. 400°C	2.0°C	
Pt100	0 .. 600°C	3.0°C	Resistance thermometer line resistance change: ≤ 50% of basic error
Fe-CuNi (J)	0 .. 250°C	2.0°C	
Fe-CuNi (J)	0 .. 400°C	2.0°C	
Fe-CuNi (J)	0 .. 600°C	3.0°C	
Fe-CuNi (J)	0 .. 900°C	4.0°C	
NiCr-NiAl (K)	0 .. 600°C	3.0°C	
NiCr-NiAl (K)	0 .. 900°C	4.0°C	
NiCr-NiAl (K)	0 .. 1300°C	6.0°C	
PtRh10-Pt (S)	0 .. 1600°C	8.0°C	

OUTPUT

Output type	Properties	Remarks
Relay (control)	- 1 output	switch-over contact, 2 A/ 230 V
Transistor voltage (control)	- 1 output 5 V	resistance limiting the current 10 Ω, without isolation from input side
Relay (alarm)	- 1 output	NO contact, 1 A/ 230 V

EXTERNAL FEATURES

Readout field	LED	10 mm, 4 digits
Overall dimensions	96 × 96 × 65 mm	
Weight	< 0.3 kg	
Protection grade	from frontal side: IP40	from terminal side: IP20

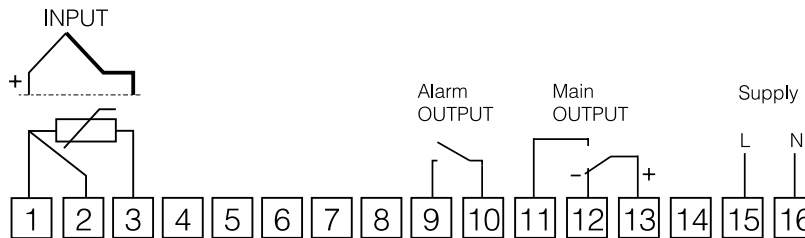
RATED OPERATING CONDITIONS

Supply voltage	85 .. 253 V d.c./a.c.	frequency: 40 .. 440 Hz
Temperature	ambient: 0...23...50°C	storage: -20...70°C
Humidity	< 85% without condensation	
Operating position	any	
External magnetic field	< 400 A/m	
Power input	< 4 VA	

SAFETY AND COMPATIBILITY REQUIREMENTS

Electromagnetic compatibility	noise immunity	acc. to EN 61000-6-2
	noise emissions	acc. to EN 61000-6-4
Pollution level	2	
Installation category	III	
Maximum phase-to-earth operating voltage	for supply circuit, output: 300 V	for input circuits: 50 V
Altitude above sea level	up to 2000 m	

CONNECTION DIAGRAMS



ORDERING

RE55 -		XX	X	X	XX	X
Input:						
Pt100/1.3850	-50..100°C	01				
	0..100°C	02				
	0..150°C	03				
	0..250°C	04				
	0..400°C	05				
	0..600°C	06				
Fe-CuNi (J)	0..250°C	07				
	0..400°C	08				
	0..600°C	09				
	0..900°C	10				
NiCr-NiAl (K)	0..600°C	11				
	0..900°C	12				
	0..1300°C	13				
PtRh10-Pt (S)	0..1600°C	14				
as per order*		99				
Option:						
on/off controller			1			
PID controller			2			
configurable controller with push-buttons			3			
Control output:						
relay				1		
voltage 0/5 V					2	
Version:						
standard						00
custom-made*						XX
Additional quality requirements:						
without additional quality requirements						8
with an extra inspection quality certificate						7
acc. to customer's request**						X

Order example:

The code: **RE55 - 02 1 1 00 8** means:

RE55 - controller of RE55 type

02 - input Pt100: 0..100°C

1 - on/off control

1 - control output: relay

00 - standard version

8 - without additional quality requirements.

* after agreeing with the manufacturer

** the ordering code will be established by the manufacturer

Sifam Tinsley Instrumentation Ltd
Unit 1 Warner Drive,
Springwood Industrial Estate
Braintree, Essex, UK, CM72YW
E-mail: sales@sifamtinsley.com
Web: www.sifamtinsley.com/uk
Contact: +44(0)1803615139



Sifam Tinsley Instrumentation Inc.
3105, Creekside Village Drive,
Suite No. 801, Kennesaw,
Georgia 30144 (USA)
E-mail Id : psk@sifamtinsley.com
Web: www.sifamtinsley.com
Contact No.: +1 404 736 4903