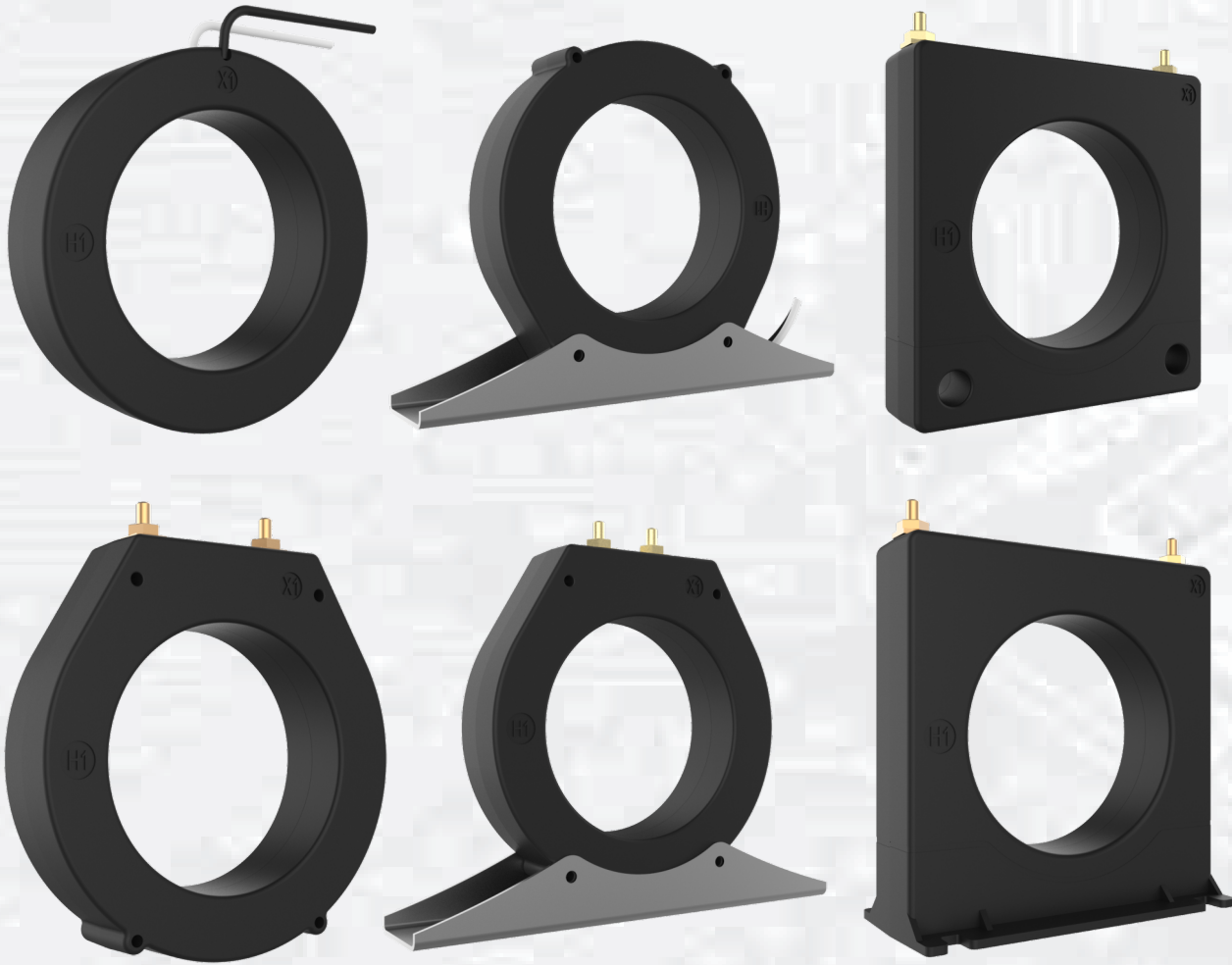




## Technical Data Sheet

# *Omega ANSI Current Transformer Series*

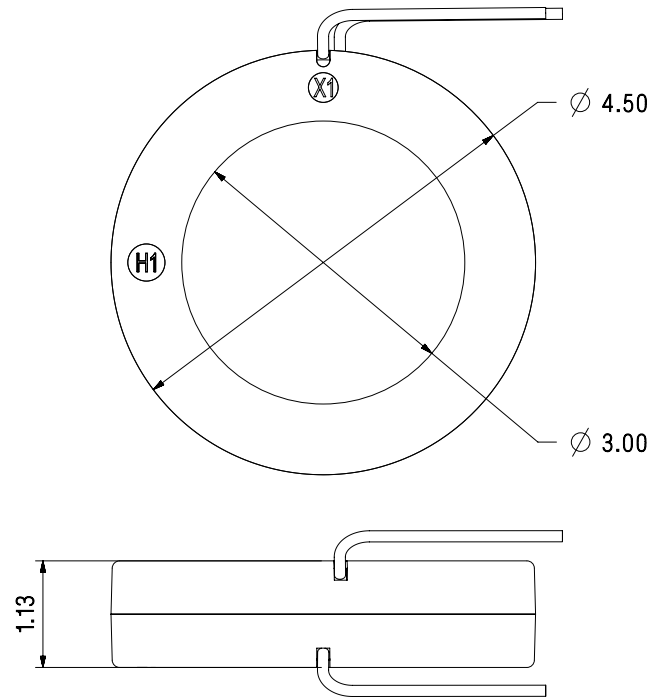


## *Omega 30*

*76RL, 76RT, 76RBT, 76RBL,  
76SHT, 76SFT*

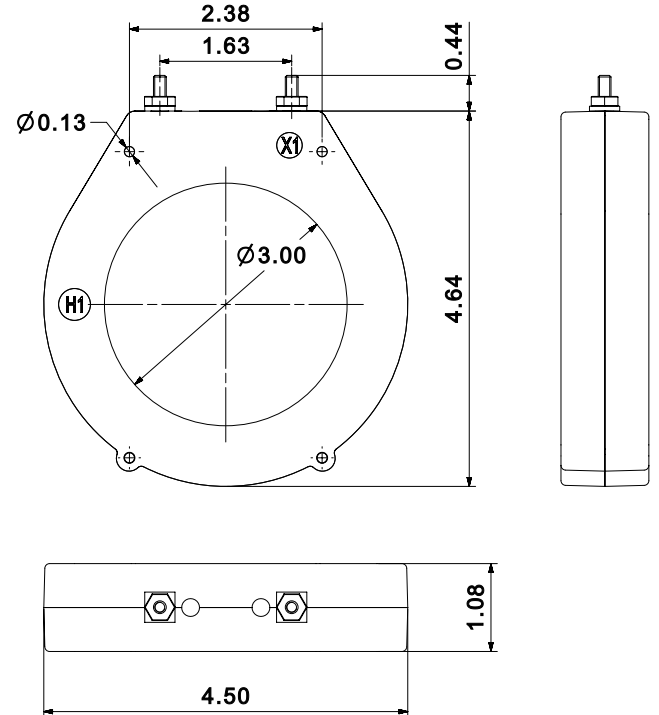


**Omega 30 - 76RL**



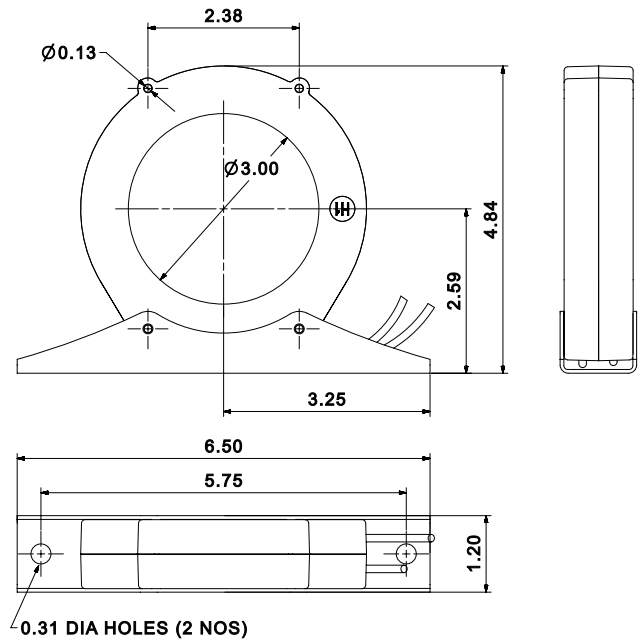
\*All the mentioned dimensions are in inches

**Omega 30 - 76RT**



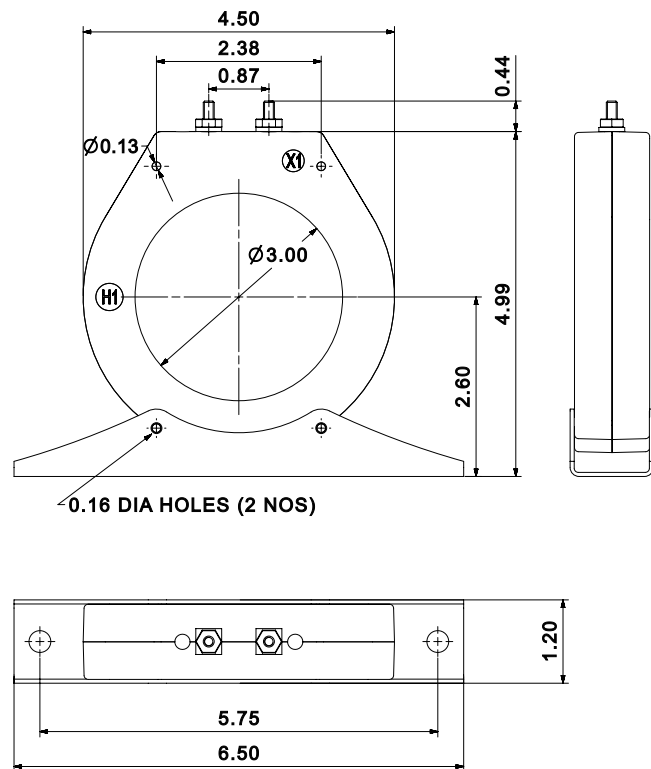
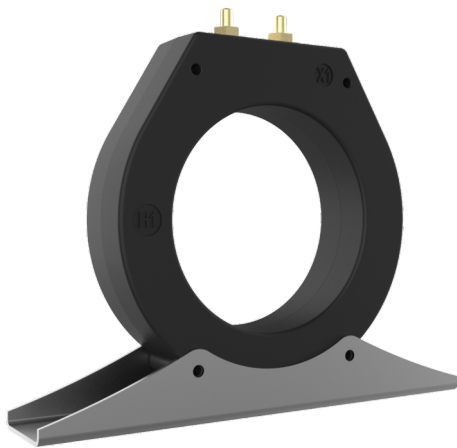
\*All the mentioned dimensions are in inches

**Omega 30 - 76RBL**



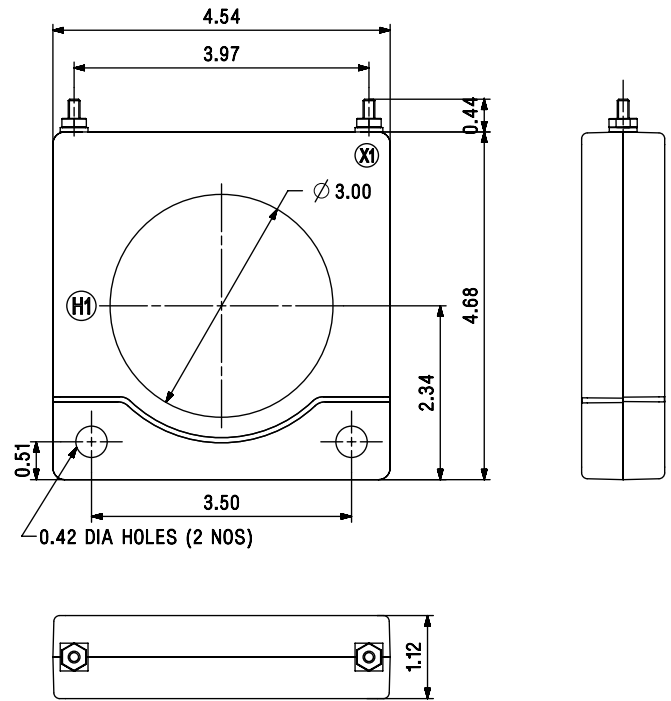
\*All the mentioned dimensions are in inches

**Omega 30 - 76RBT**



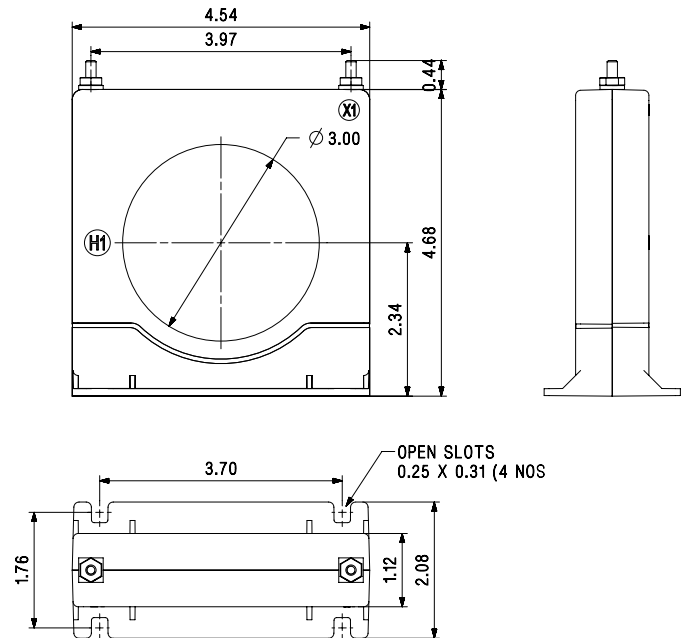
\*All the mentioned dimensions are in inches

**Omega 30 - 76SHT**



\*All the mentioned dimensions are in inches

**Omega 30 - 76SFT**



\*All the mentioned dimensions are in inches

**Omega 30 - 76RL, 76RT, 76RBT, 76RBL,  
76SHT, 76SFT**

<b>Current Ratio</b>	<b>Accuracy @ 60 HZ</b>	<b>Burden VA @ 60 HZ</b>
200:5	± 1%	5
250:5	± 1%	5
300:5	± 1%	6
400:5	± 1%	10
500:5	± 1%	10
600:5	± 1%	10
750:5	± 1%	10
800:5	± 1%	12.5
1000:5	± 1%	10
1200:5	± 1%	10
1500:5	± 1%	12.5
1600:5	± 1%	12.5
2000:5	± 1%	15

## Specification


- FREQUENCY : 50 -400 Hz
- INSULATION LEVEL : 600 Volts. 10kV BIL. full wave
- WINDOW : 3.00"
- APROXIMATE WEIGHT : 1.5 lbs
- CONNECTIONS :
  - Flexible Leads are UL 1015 105°C, CSA approved #16AWG, 24" long
  - Non-standard length to be specified
  - Terminals are brass studs No. 8-32 UNC with one flat washer, lock washer, and regular nut
  - SFT and SHT case styles also available as SFL and SHL with leads
  - Mounting kit for 76RT, 76RBL, 76RBT (On Request)

## Application

- APPLICATION : With ammeters, wattmeters and cross compensation

Omega 30 - 76RL, 76RT, 76RBT, 76RBL,  
76SHT, 76SFT

## Product Mounting Kit

Sr No	Model Name	Item Code	Actual Product
1	76 RT	X76T-0A00-0001	
2	76 RBL	X76T-0A00-0001	
3	76 RBT	X76T-0A00-0001	

---

**Sifam Tinsley Instrumentation Inc.**

**Address:** 2105 Barrett Park Dr, Unit 105, Kennesaw, GA 30144

**Tel.:** 800-879-6171 | **E-mail:** [info@sifamtinsley.com](mailto:info@sifamtinsley.com) | **Web:** [www.sifamtinsley.com](http://www.sifamtinsley.com)

---