

# RE22 CONTROLLER

## FEATURES:

- Password protection
- PID algorithm
- on/off algorithm
- Auto-tuning
- IP65
- Soft Start
- Auto

## INPUTS:

- 0..10 V
- 0..20 mA

## OUTPUTS:

- SSR output

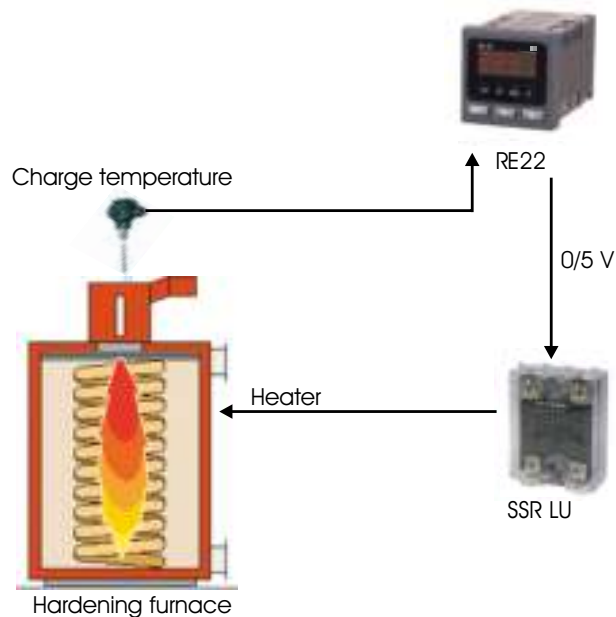
## GALVANIC ISOLATION:

- Supply



- Universal input for RTD and TC sensors or standard signals from transducers.
- Relay output or binary 0/5 V for relay of SSR type.
- Control of on/off type or PID with auto-tuning.
- „Soft-start” function.
- Manual operating option.

## EXAMPLE OF APPLICATION



Temperature control in a hardening furnace.

### INPUT

Input type	Designation	Range	Error
Pt100	Pt100	-199 .. 850°C	0.2%
Pt1000	Pt1000	-199 .. 850°C	0.2%
Fe-CuNi	J	-100 .. 1200°C	0.3%
Cu-CuNi	T	-100 .. 400°C	0.3%
NiCr-NiAl	K	-100 .. 1372°C	0.3%
PtRh10-Pt	S	0 .. 1767°C	0.5%
PtRh13-Pt	R	0 .. 1767°C	0.5%
PtRh30-PtRh6	B	0 .. 1820°C	0.5%
NiCr-CuNi	E	-100 .. 999°C	0.3%
NiCrSi-NiSi	N	-100 .. 1300°C	0.3%
NiCr-CuNi (GOST)	L	-100 .. 800°C	0.3%
Current channels	I	0(4) .. 20 mA	0.2% +/- 1 digit
Voltage channels	U	0(5) .. 10 V	0.2% +/- 1 digit

### OUTPUT

Output type	Properties	Remarks
Relay output	voltageless NO contacts, load capacity 5 A, 250 V a.c.	
Voltageless binary output	load capacity 5 V	resistance limiting the current: 66 Ω

Sifam Tinsley Instrumentation Ltd  
 Unit 1 Warner Drive,  
 Springwood Industrial Estate  
 Braintree, Essex, UK, CM72YW  
 E-mail: sales@sifamtinsley.com  
 Web: www.sifamtinsley.com/uk  
 Contact: +44(0)1803615139



Sifam Tinsley Instrumentation Inc.  
 3105, Creekside Village Drive,  
 Suite No. 801, Kennesaw,  
 Georgia 30144 (USA)  
 E-mail: psk@sifamtinsley.com  
 Web: www.sifamtinsley.com  
 Contact No.: +1 404 736 4903



# RE22 CONTROLLER

## EXTERNAL FEATURES

Readout field	LED	10 mm, 4 digits
Overall dimensions	48 × 48 × 93 mm	
Weight	0.25 kg	
Protection grade	from frontal side: IP65	from terminal side: IP20

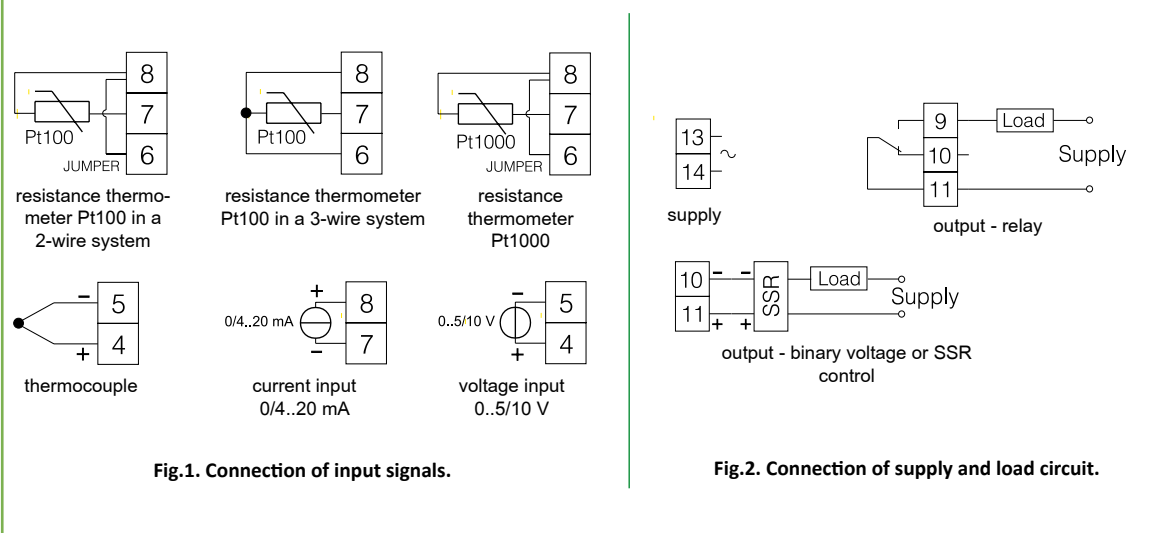
## RATED OPERATING CONDITIONS

Supply voltage	230; 110; 24 V a.c. +/- 10%	frequency: 50 .. 60 Hz
Temperature	ambient: 0...23...50°C	storage: -20...70°C
Humidity	< 85% without condensation	
Operating position	any	
External magnetic field	< 400 A/m	

## SAFETY AND COMPATIBILITY REQUIREMENTS

Electromagnetic compatibility	noise immunity	acc. to EN 61000-6-2
	noise emissions	acc. to EN 61000-6-4
Pollution level	2	
Installation category	III	
Maximal phase-to-earth operating voltage	for supply circuit, outputs: 300 V	for input circuits: 50 V
Altitude above sea level	< 2000 m	

## CONNECTION DIAGRAMS



## ORDERING

Ordering Code	Description
<b>RE22 11100M0</b>	Controller RE22, universal input for thermocouple and resistance thermometers, supply 230 VAC; 1x relay output, documentation and descriptions in Polish and English, test certificate

Sifam Tinsley Instrumentation Inc.  
 3105, Creekside Village Drive,  
 Suite No. 801, Kennesaw, Georgia 30144 (USA)  
 E-mail Id : [psk@sifamtinsley.com](mailto:psk@sifamtinsley.com)  
 Web: [www.sifamtinsley.com](http://www.sifamtinsley.com)  
 Contact No.: +1 404 736 4903