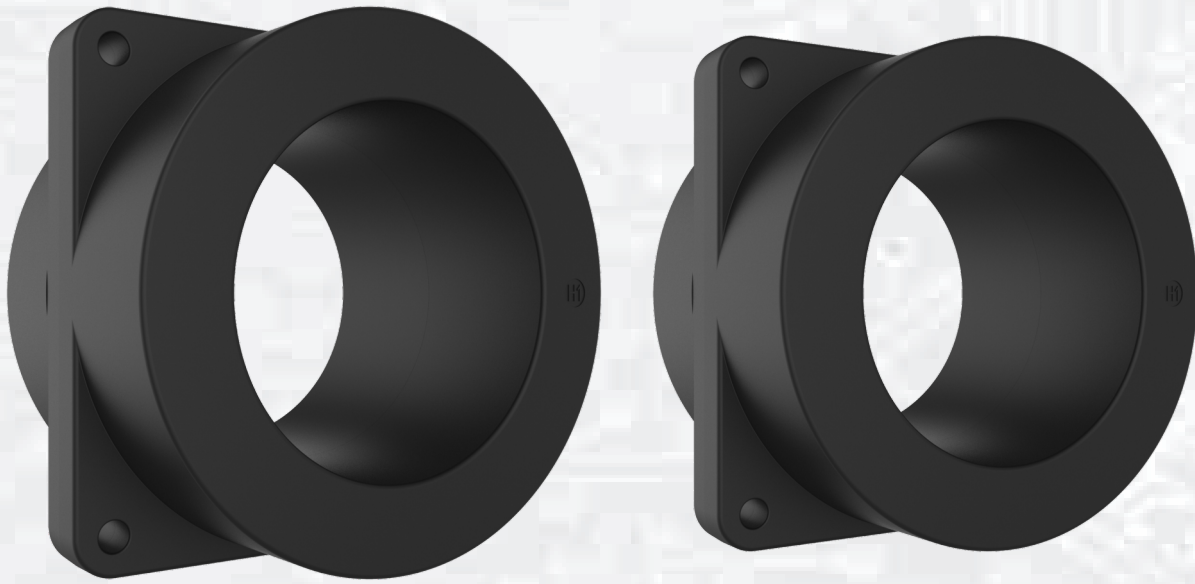




Technical Data Sheet

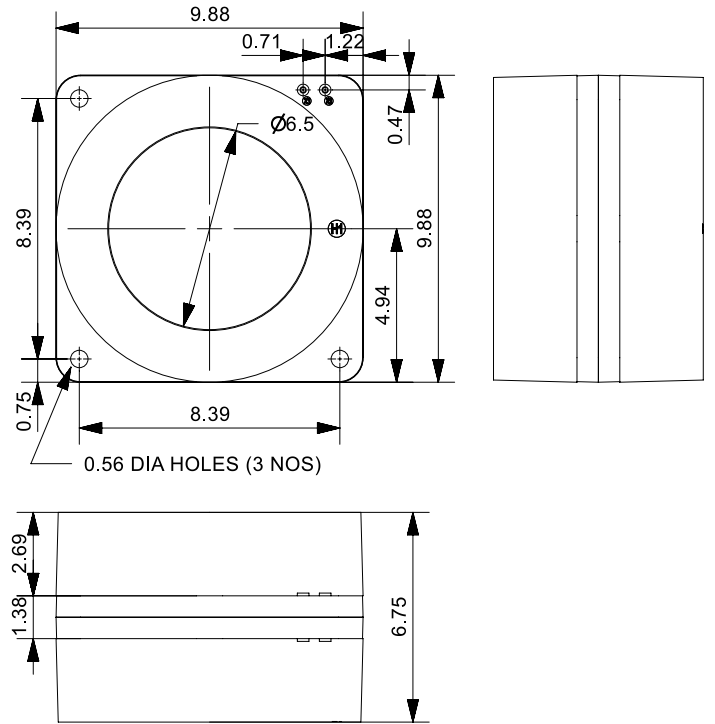
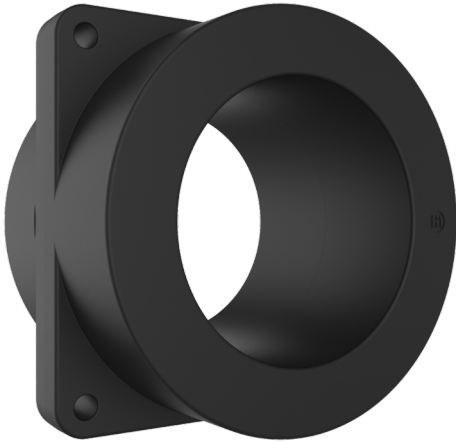
*Omega ANSI
Current Transformer Series*



*Omega 30
785ABT, 786AMR*

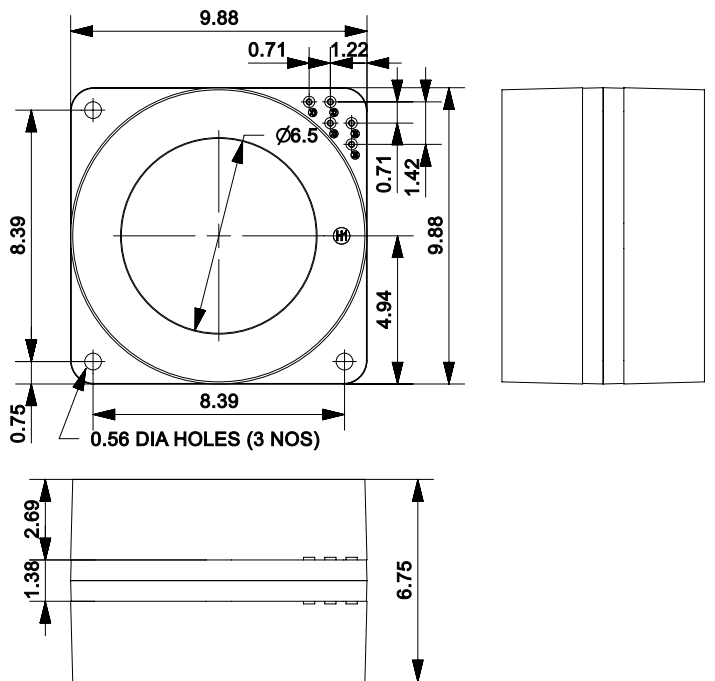
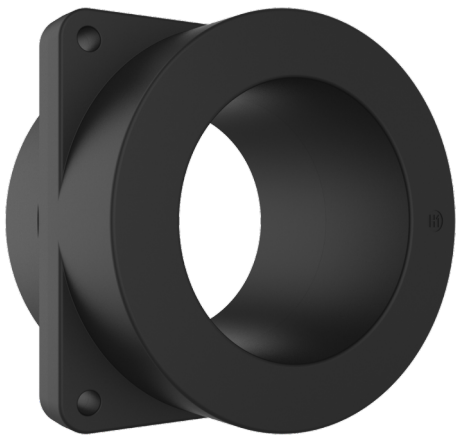


Omega 30 - 785ABT



*All the mentioned dimensions are in inches

Omega 30 - 786AMR



*All the mentioned dimensions are in inches

Omega 30 - 785ABT

| Current Ratio | VA @ ± 1% Class | ANSI METERING CLASS @ 60HZ | | | | |
|---------------|-----------------|----------------------------|------|------|------|------|
| | | B0.1 | B0.2 | B0.5 | B0.9 | B1.8 |
| 50:5 | C10 | 2.4 | 4.8 | – | – | – |
| 75:5 | C20 | 1.2 | 1.2 | 4.8 | – | – |
| 100:5 | C20 | 0.6 | 1.2 | 2.4 | – | – |
| 150:5 | C50 | 0.6 | 0.6 | 1.2 | 2.4 | – |
| 200:5 | C50 | 0.3 | 0.3 | 0.6 | 1.2 | 2.4 |
| 250:5 | C50 | 0.3 | 0.3 | 0.6 | 1.2 | 2.4 |
| 300:5 | C100 | 0.3 | 0.3 | 0.3 | 0.6 | 1.2 |
| 400:5 | C100 | 0.3 | 0.3 | 0.3 | 0.6 | 1.2 |
| 500:5 | C100 | 0.3 | 0.3 | 0.3 | 0.3 | 0.6 |
| 600:5 | C200 | 0.3 | 0.3 | 0.3 | 0.3 | 0.6 |
| 750:5 | C200 | 0.3 | 0.3 | 0.3 | 0.3 | 0.3 |
| 800:5 | C200 | 0.3 | 0.3 | 0.3 | 0.3 | 0.3 |
| 1000:5 | C200 | 0.3 | 0.3 | 0.3 | 0.3 | 0.3 |
| 1200:5 | C400 | 0.3 | 0.3 | 0.3 | 0.3 | 0.3 |
| 1500:5 | C400 | 0.3 | 0.3 | 0.3 | 0.3 | 0.3 |
| 1600:5 | C400 | 0.3 | 0.3 | 0.3 | 0.3 | 0.3 |
| 2000:5 | C400 | 0.3 | 0.3 | 0.3 | 0.3 | 0.3 |
| 2500:5 | C400 | 0.3 | 0.3 | 0.3 | 0.3 | 0.3 |
| 3000:5 | C400 | 0.3 | 0.3 | 0.3 | 0.3 | 0.3 |
| 4000:5 | C400 | 0.3 | 0.3 | 0.3 | 0.3 | 0.3 |

Specification

- Frequency : 50-400 Hz.
- Insulation Level : 600 Volts. 10kV BIL. full wave
- CONTINUOUS THERMAL CURRENT RATING FACTOR :
 50:5 thru 1200:5 2.0 at 30°C amb., 1.5 at 55°C amb.
 1500:5 thru 2500:5 1.5 at 30°C amb., 1.33 at 55°C amb.
 3000:5 thru 4000:5 1.33 at 30°C amb., 1.0 at 55°C amb.
- WINDOW : 6.50"
- APROXIMATE WEIGHT : 58 lbs

CONNECTIONS :

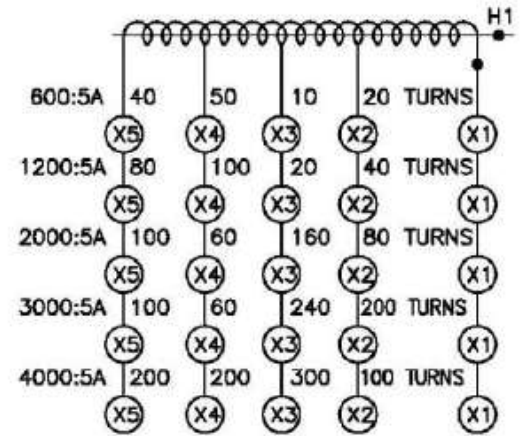
- Secondary terminals are No. 10-32 brass screws with one flat washer, lockwasher and regular nut.

Application

- Relaying & Metering

Omega 30 - 786AMR

| Current Ratio | Relay class | ANSI metering class @60 HZ | Cont. Thermal RF | |
|---------------|-------------|----------------------------|------------------|--------|
| | | | @30 °C | @50 °C |
| 600:5 | C200 | 0.6 B0.9 | 2.0 | 1.5 |
| 1200:5 | C400 | 0.3 B1.8 | 2.0 | 1.5 |
| 2000:5 | C400 | 0.3 B1.8 | 2.0 | 1.5 |
| 3000:5 | C400 | 0.3 B1.8 | 1.33 | 1.0 |
| 4000:5 | C400 | 0.3 B1.8 | 1.33 | 1.0 |



Specification

- Frequency : 50-400 Hz.
- Insulation Level : 600 Volts. 10kV BIL. full wave
- CONTINUOUS THERMAL CURRENT RATING FACTOR :
2.0 at 30°c amb., 1.5 at 55°c amb
- WINDOW : 6.50"
- APROXIMATE WEIGHT : 58 lbs

CONNECTIONS :

- Secondary terminals are brass studs No. 8-32 with one flatwasher, lockwasher, and regular nut

Application

- Relaying & Metering

Sifam Tinsley Instrumentation Inc.

Address: 2105 Barrett Park Dr, Unit 105, Kennesaw, GA 30144

Tel.: 800-879-6171 | **E-mail:** info@sifamtinsley.com | **Web:** www.sifamtinsley.com
