



Technical Data Sheet

*Omega ANSI Current
Transformer Series*



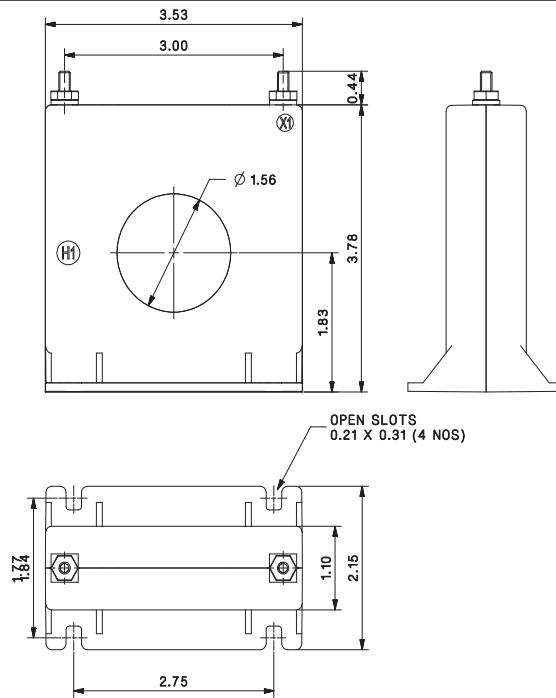
*Omega 30
Model 5*

Omega 30 Series

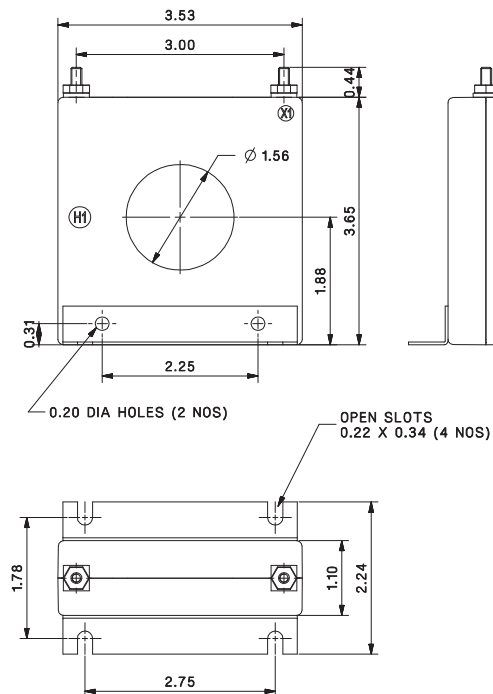
Omega 30B

Omega 30B 5SFT, 5SHT & 5RL Series

Omega 30B 5SFT



Omega 30B 5SHT



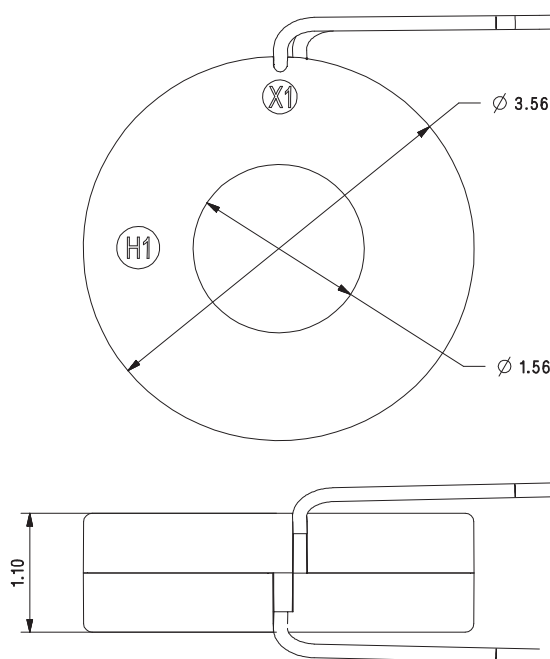
ALL DIMENSIONS ARE IN INCHES

Omega 30 Series

Omega 30B

Omega 30B 5SFT, 5SHT & 5RL Series

Omega 30B 5RL



5SFT, 5SHT & 5RL

Current Ratio	Class	VA
50	± 2%	1.0
75	± 2%	1.5
100	± 2%	2.0
150	± 1%	5.0
200	± 1%	5.0
250	± 1%	10
300	± 1%	12.5
400	± 1%	12.5
500	± 1%	20
600	± 1%	25
750	± 1%	25
800	± 1%	25
1000	± 1%	25
1200	± 1%	30.5

Used for ammeter, Wattmeters & cross current compensation
Approx. weight 1 lbs

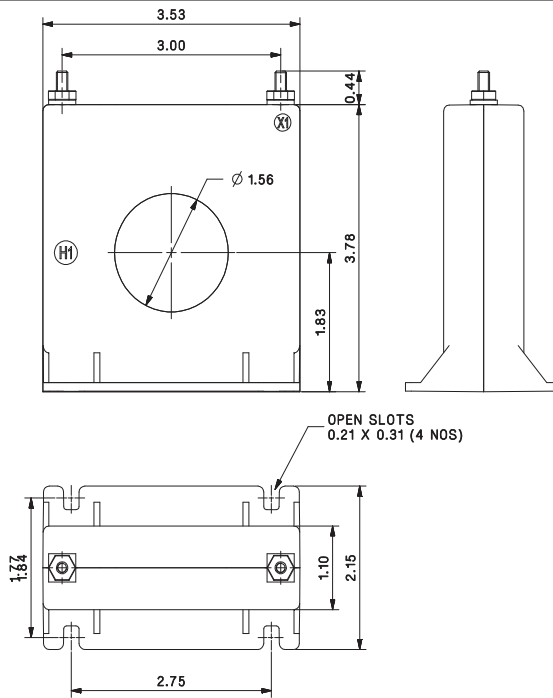
ALL DIMENSIONS ARE IN INCHES

Omega 30 Series

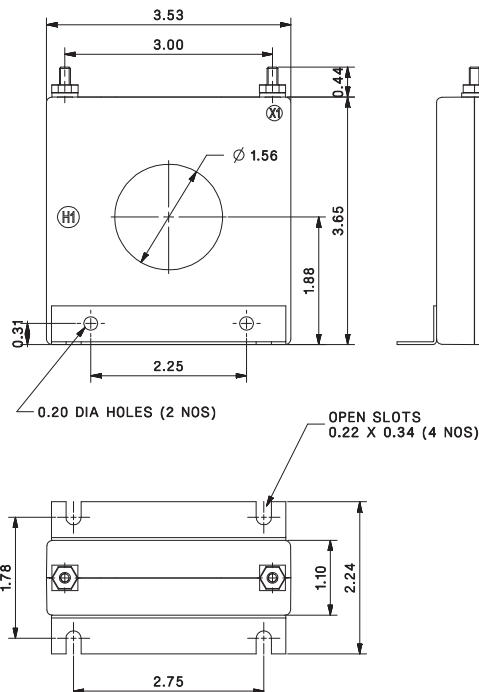
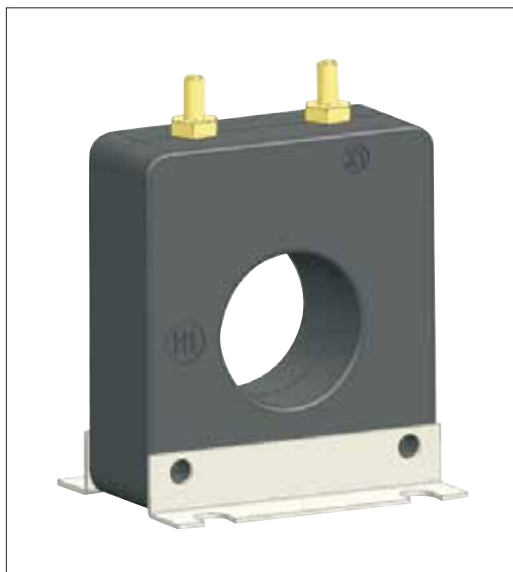
Omega 30B

Omega 30B 5ASFT, 5ASHT & 5ARL Series

Omega 30B 5ASFT



Omega 30B 5ASHT



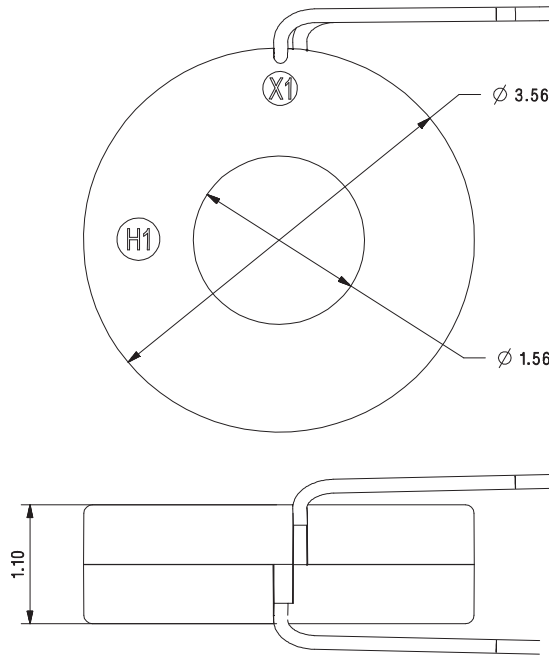
ALL DIMENSIONS ARE IN INCHES

Omega 30 Series

Omega 30B

Omega 30B 5ASFT, 5ASHT & 5ARL Series

Omega 30B 5ARL



5ASFT, 5ASHT & 5ARL

Current Ratio	VA @ ±1% Class	ANSI METERING CLASS					Cont. Thermal RF	
		B0.1	B0.2	B0.5	B0.9	B1.8	@30	@55
50	1.0	4.8	-	-	-	-	2.0	2.0
75	1.0	2.4	4.8	-	-	-	2.0	2.0
100	1.0	1.2	2.4	-	-	-	2.0	2.0
150	5.0	0.6	1.2	2.4	4.8	-	2.0	2.0
200	5.0	0.6	0.6	1.2	2.4	4.8	2.0	2.0
250	12.5	0.6	0.6	1.2	2.4	2.4	2.0	1.5
300	15	0.3	0.3	0.6	1.2	2.4	2.0	1.5
400	20	0.3	0.3	0.6	1.2	1.2	1.5	1.0
500	25	0.3	0.3	0.6	0.6	1.2	1.33	0.8
600	30	0.3	0.3	0.6	0.6	1.2	1.0	0.8
750	30	0.3	0.3	0.6	0.6	0.6	1.0	0.8
800	30	0.3	0.3	0.6	0.6	0.6	1.0	0.8
1000	35	0.3	0.3	0.3	0.6	0.6	1.0	0.8
1200	40	0.3	0.3	0.3	0.3	0.6	1.0	0.6

Used for ammeter & Wattmeters Approx. weight 1 lbs

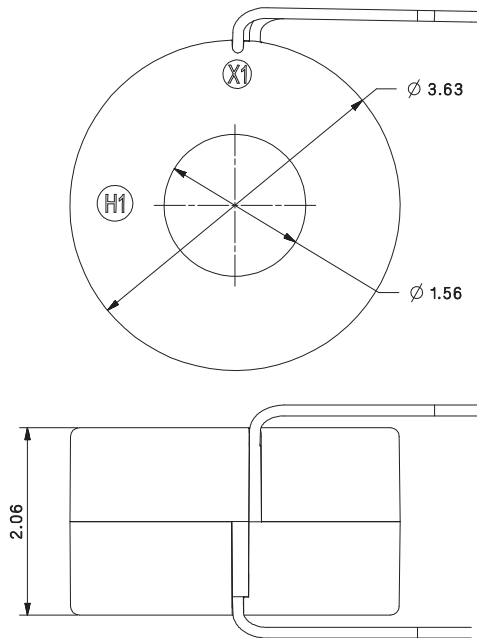
ALL DIMENSIONS ARE IN INCHES

Omega 30 Series

Omega 30B

Omega 30B 5DRL

Omega 30B 5DRL



5DRL

Current Ratio	Class	VA
50	± 2%	2.5
60	± 1%	2.5
75	± 1%	3.5
100	± 1%	5.0
150	± 1%	10
200	± 1%	12.5
250	± 1%	20
300	± 1%	25
400	± 1%	40
500	± 1%	50
600	± 1%	60
750	± 1%	60
800	± 1%	60
1000	± 1%	75
1200	± 1%	90

Used for ammeter, Wattmeters & cross current compensation
Approx. weight 2 lbs

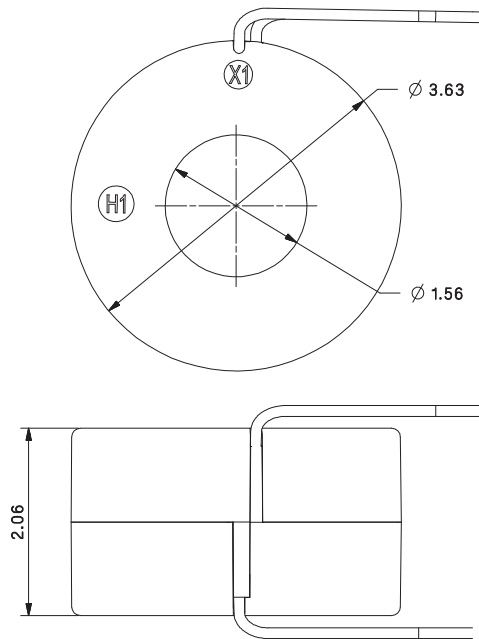
ALL DIMENSIONS ARE IN INCHES

Omega 30 Series

Omega 30B

Omega 30B 5ADRL

Omega 30B 5ADRL



5ADRL

Current Ratio	VA @ ±1% Class	ANSI METERING CLASS					Cont. Thermal RF	
		B0.1	B0.2	B0.5	B0.9	B1.8	@30	@55
50	±1% 2.5	2.4	-	-	-	-	2.0	2.0
60	2.5	1.2	4.8	-	-	-	2.0	2.0
75	3.5	1.2	2.4	-	-	-	2.0	2.0
80	4.0	1.2	2.4	4.8	-	-	2.0	2.0
100	5.0	0.6	1.2	4.8	4.8	-	2.0	2.0
120	7.5	0.6	0.6	2.4	4.8	-	2.0	2.0
125	7.5	0.6	0.6	2.4	4.8	4.8	2.0	2.0
150	10	0.6	0.6	1.2	2.4	4.8	2.0	2.0
200	12.5	0.6	0.6	0.6	1.2	2.4	2.0	1.5
250	20	0.3	0.3	0.6	1.2	2.4	2.0	1.5
300	25	0.3	0.3	0.6	1.2	1.2	1.5	1.33
400	40	0.3	0.3	0.3	0.6	1.2	1.5	1.0
500	50	0.3	0.3	0.3	0.3	0.6	1.5	1.0
600	60	0.3	0.3	0.3	0.3	0.6	1.0	0.8
750	75	0.3	0.3	0.3	0.3	0.6	1.33	1.0
800	80	0.3	0.3	0.3	0.3	0.3	1.33	1.0
1000	90	0.3	0.3	0.3	0.3	0.3	1.0	0.8

Used for ammeter, Wattmeters & cross current compensation

Approx. weight 2 lbs

ALL DIMENSIONS ARE IN INCHES

Omega ANSI Current Transformer Series

Omega 30

Specifications

- Applicable Standard : ANSI/IEEE C57.13
- Case : 10% glass filled polycarbonate, flame retardant grades classified UL 94V-0.
- Frequency : 50-400 Hz.
- Insulation Level : 10KV BIL full wave.
- Flexible leads are UL 1015, 105°C 16AWG.
- Non-standard length to be specified.
- For all the SHT & SFT types terminals are brass studs No. 8-32 with one flat washer, lock washer & regular nut
- All the SHT & SFT models also available as SHL & SFL with leads
- For all the SHT types- mounting bracket kit can be provided when required

Application

- Use for measurement purposes in conjunction with ammeters, wattmeters, etc.
- Also applicable for cross current compensation.



Sifam Tinsley Instrumentation Inc.
3105 Creekside Village Dr,
Suite 801,
Kennesaw GA 30144
Contact Number: +1.404.736.4903
Web: www.sifamtinsley.com

Sifam Tinsley Instrumentation Ltd.
Central Buildings, Woodland Close,
Old Woods Trading Estate,
Torquay, Devon, England, TQ27BB
Contact Number: +44 (0) 1803 615139
Web: www.sifamtinsley.com/uk