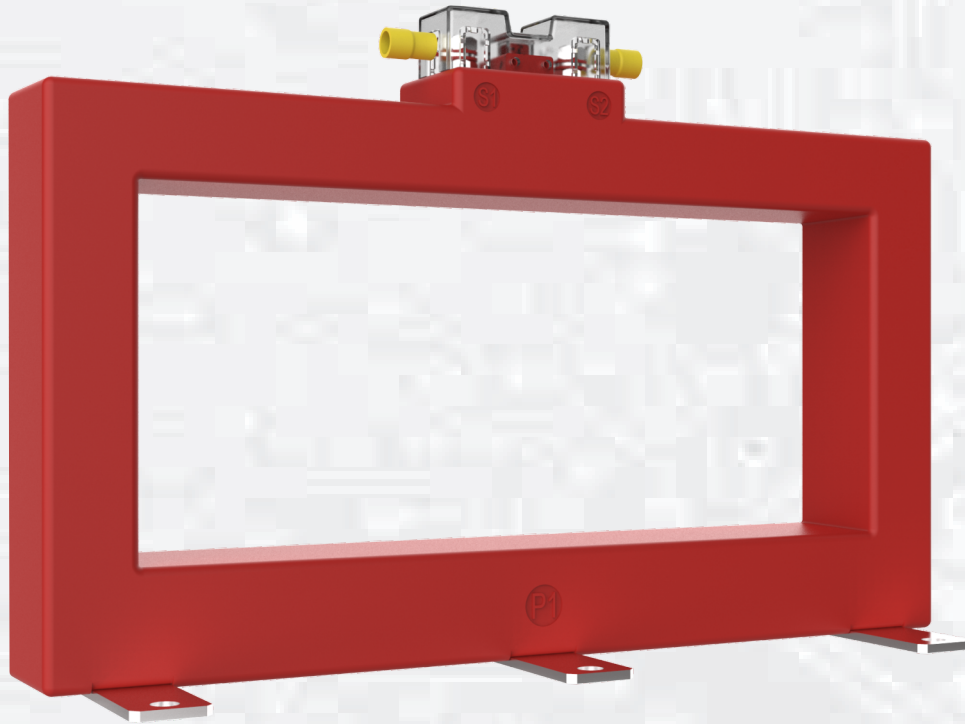




## Technical Data Sheet

### *Omega RC Series*



*Omega RC series Current Transformers (CTs)* are Polyurethane (PU) resin potted and enclosed in a sturdy polycarbonate casing. Engineered for busbar installations, they include clear directional markings for easy identification of primary current flow.

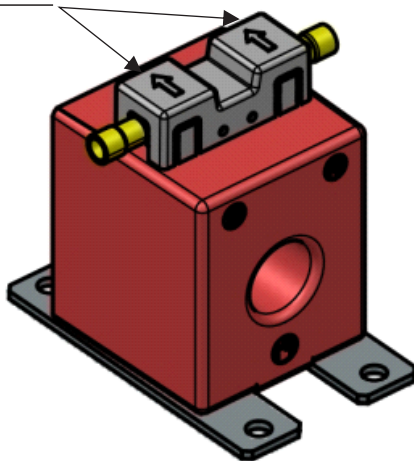
### Special Features

- Wide System Current Range
- Transparent cover with IP20 protection to terminals
- Clear primary current direction marking
- Designed for efficient wall mounting.
- Wire-Sealable Terminal Cover to enhances safety and ensures tamper-proof access.

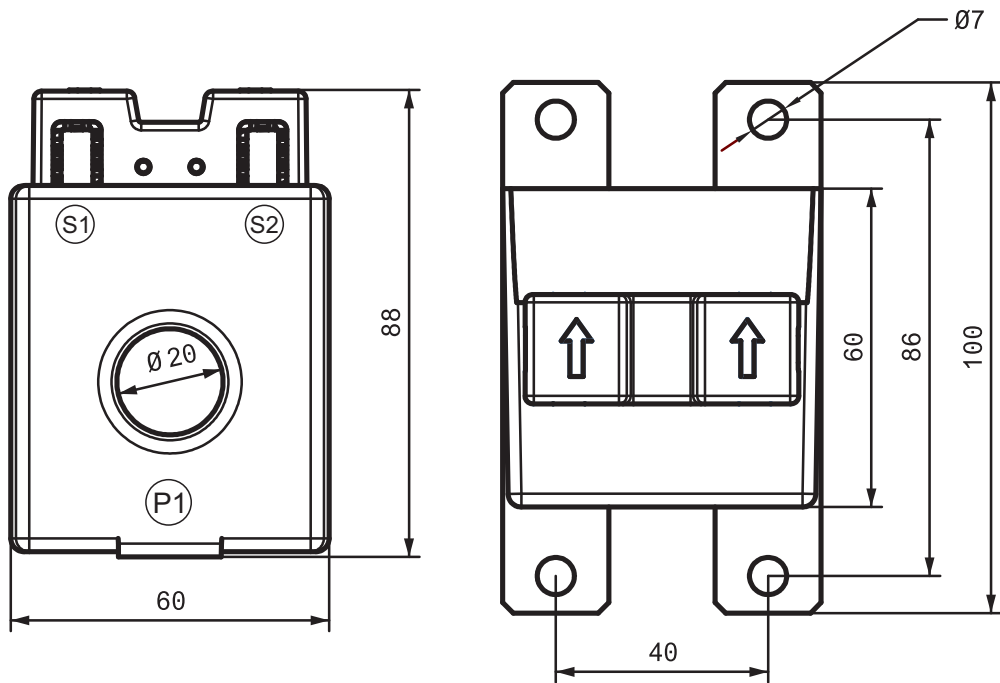
## Specification

<b>Applicable Standard</b>	IEC-61869-1 & 2, IS-16227
<b>Type</b>	PU Resin Low Voltage CT
<b>Insulation Class</b>	E (120°C max)
<b>System voltage</b>	0.72 kV (max)
<b>Operating Frequency</b>	50/60Hz
<b>Test Voltage</b>	4kV (50Hz for 1 minute)
<b>Rated Primary Current Rating</b>	50A to 7500A
<b>Rated Secondary Current Rating</b>	5A (1A on request)
<b>Accuracy class</b>	CL0.5, CL1.0 and CL3.0
<b>Rated Burden</b>	1VA to 30VA
<b>Instrument Security Factor</b>	5,10,15
<b>Continuous Current</b>	1.2 X Rated Primary Current
<b>Rated Short Time Thermal Current (I<sub>th</sub>)</b>	60 X I <sub>n</sub> for 1sec (max 40kA for 1 sec)
<b>Rated Dynamic Current (I<sub>dyn</sub>)</b>	2.5 X I <sub>th</sub>
<b>Ambient Temperature</b>	-25°C to +40°C
<b>Storage temperature</b>	-50°C...+80°C
<b>Connection</b>	M4 Terminal studs

Primary Current  
Direction Marking



Omega RC10

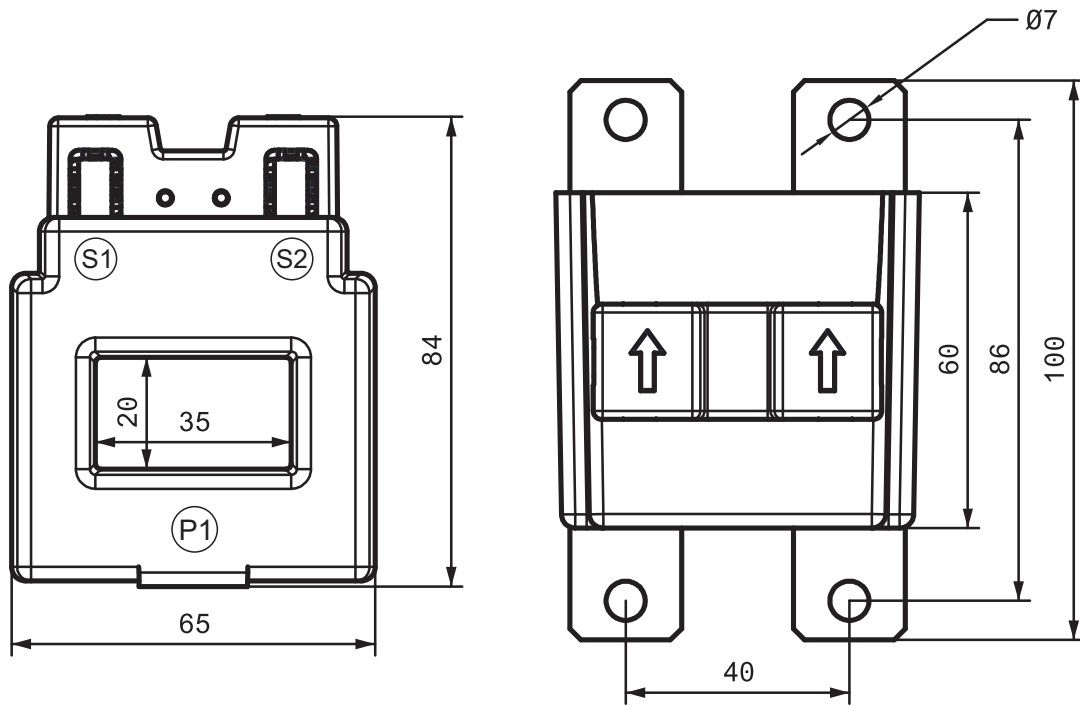


Omega RC10

Primary Current (A)	VA	Class	VA	Class
50	5	3	1	1
60	5	3	1.5	1
75	5	3	2.5	1
80	5	3	2.5	1
80	-	-	1	0.5
100	5	1	2.5	0.5
150	5	1	3.75	0.5

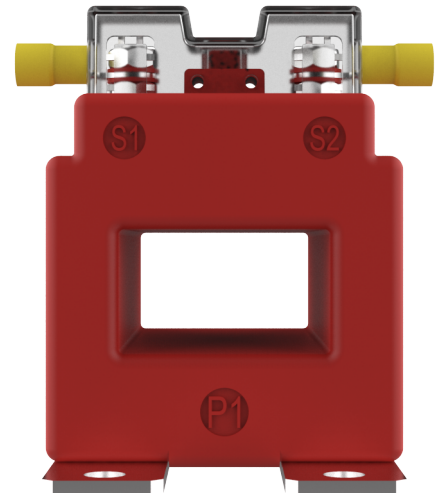


OMEGA RC20

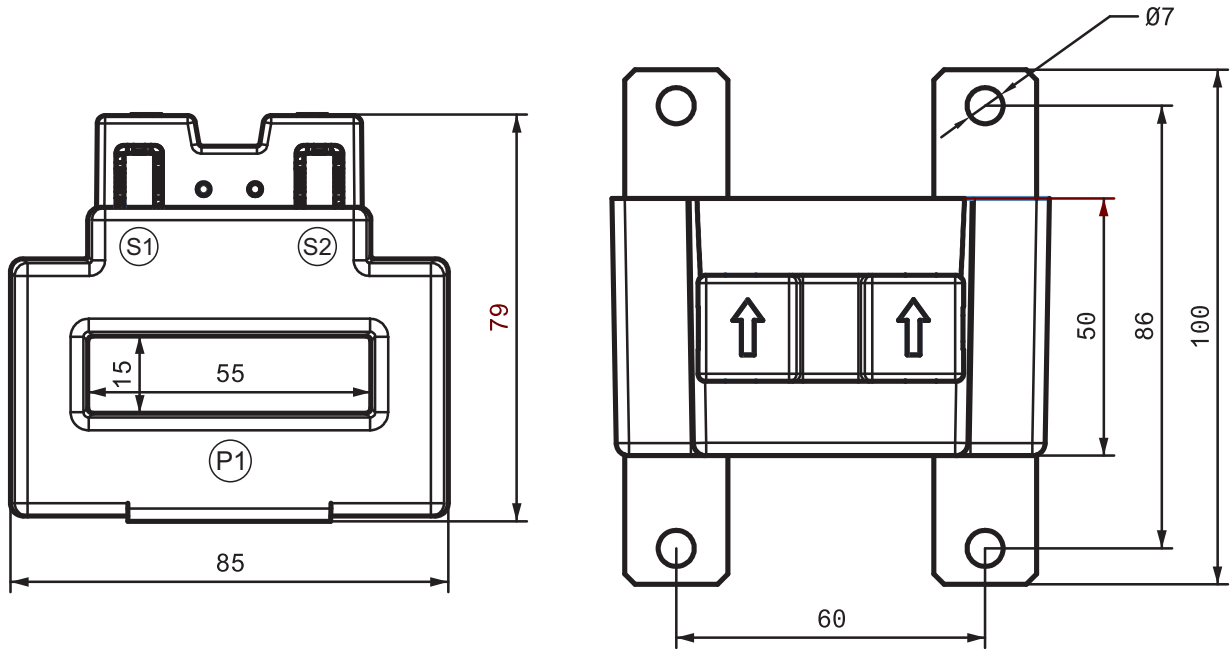


OMEGA RC20

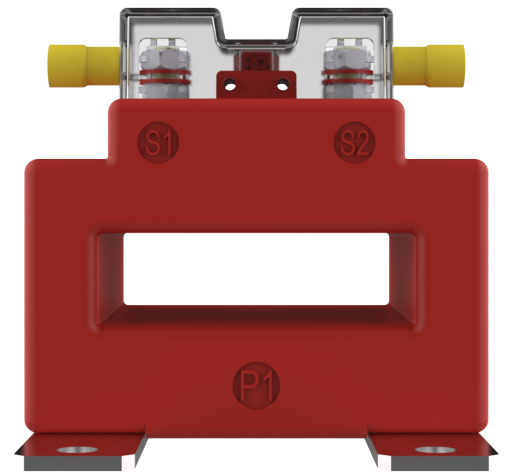
Primary Current (A)	VA	Class	VA	Class
50	2.5	3	-	-
60	2.5	3	-	-
75	1.5	1	-	-
80	1.75	1	-	-
100	2.5	1	-	-
150	5	1	1.75	0.5
200	6.25	1	3.75	0.5
250	7.5	1	5	0.5



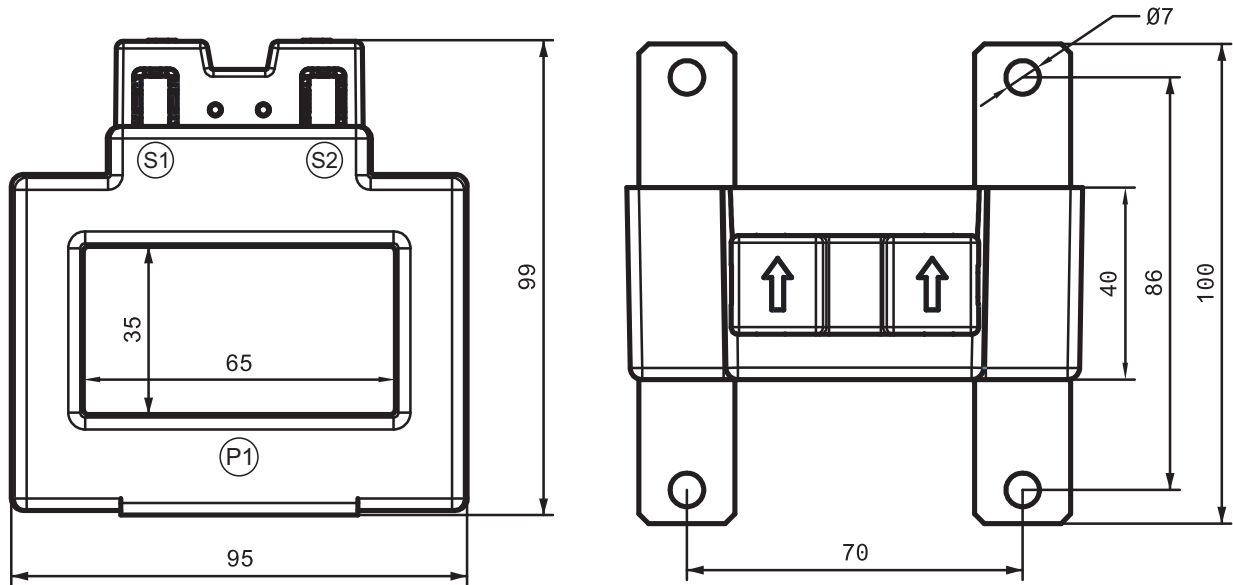
OMEGA RC30



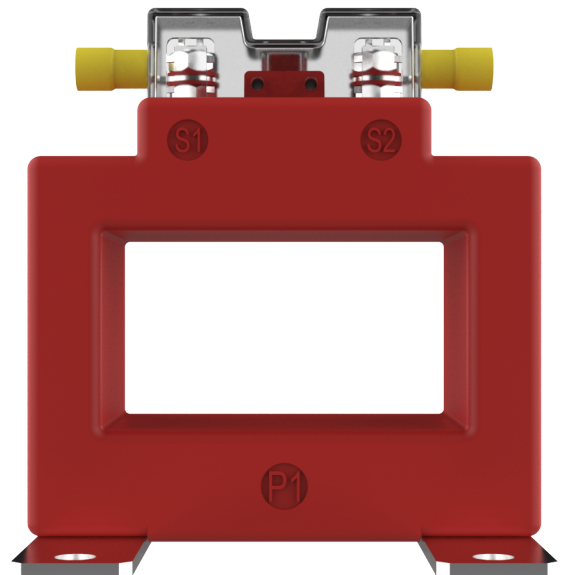
OMEGA RC30				
Primary Current (A)	VA	Class	VA	Class
250	6.25	1	3.75	0.5
300	7.5	1	5	0.5
400	10	1	7.5	0.5



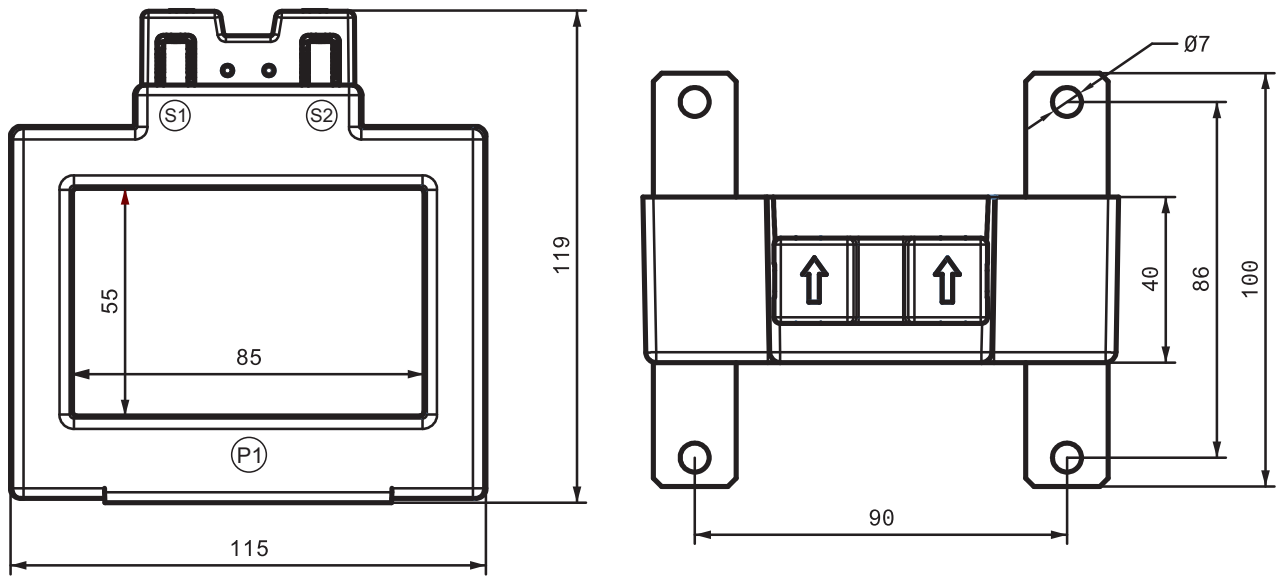
OMEGA RC40



OMEGA RC40				
Primary Current (A)	VA	Class	VA	Class
400	7.5	1	5	0.5
500	7.5	1	5	0.5
630	10	1	7.5	0.5
800	10	1	7.5	0.5
1000	10	1	7.5	0.5

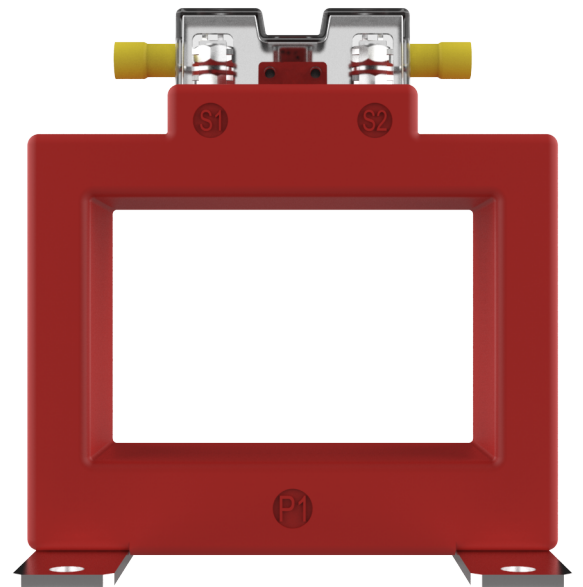


OMEGA RC50

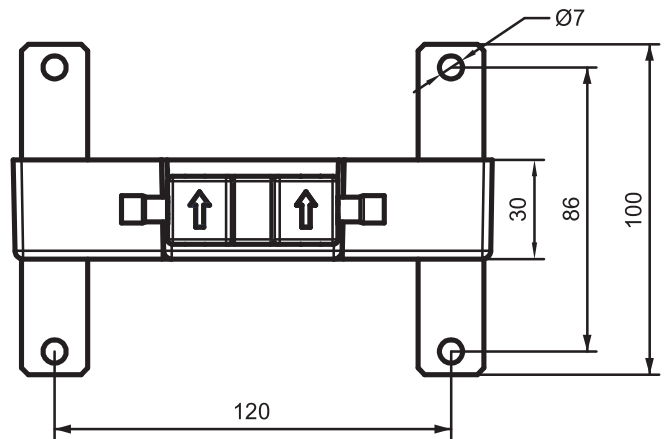
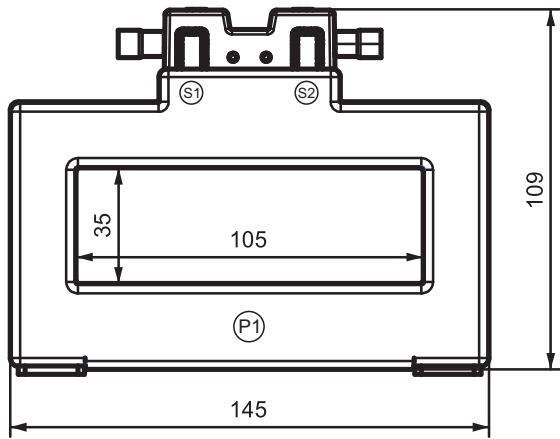


OMEGA RC50

Primary Current (A)	VA	Class	VA	Class
1000	10	1	7.5	0.5
1200	12.5	1	10	0.5
1250	12.5	1	10	0.5

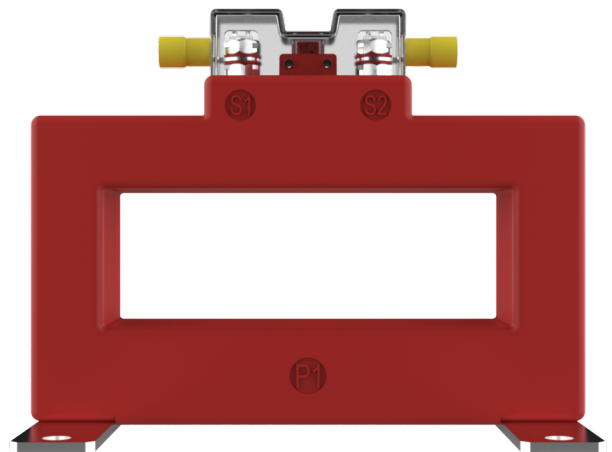


OMEGA RC60

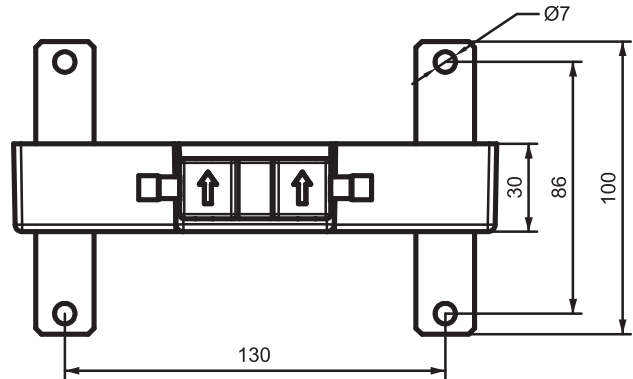
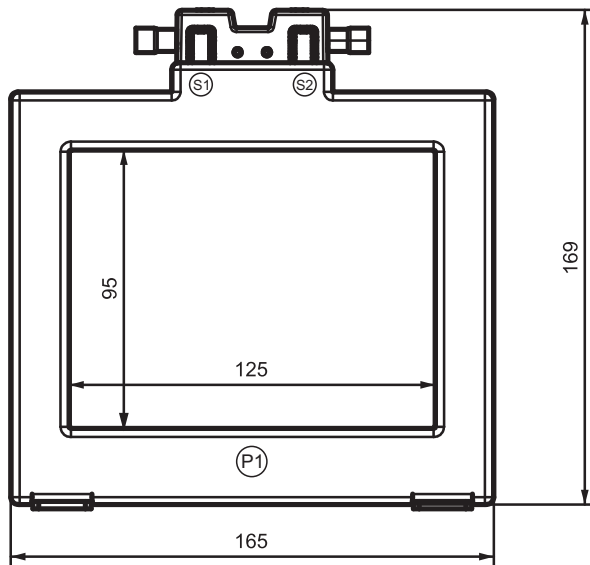


OMEGA RC60

Primary Current (A)	VA	Class	VA	Class
1500	10	1	10	0.5
1600	12.5	1	12.5	0.5
2000	20	1	15	0.5
2500	20	1	15	0.5

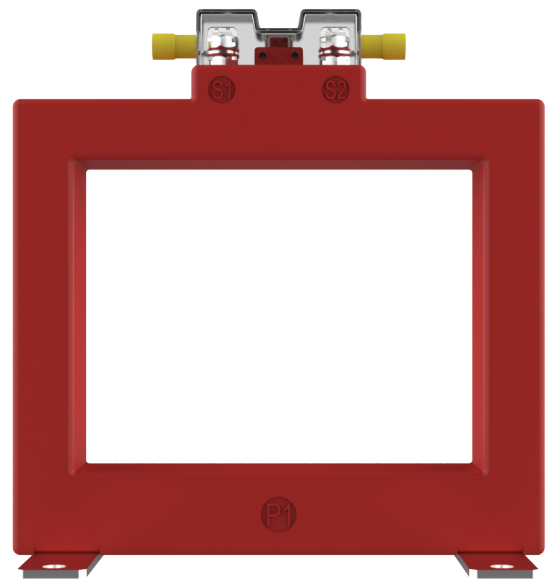


OMEGA RC70

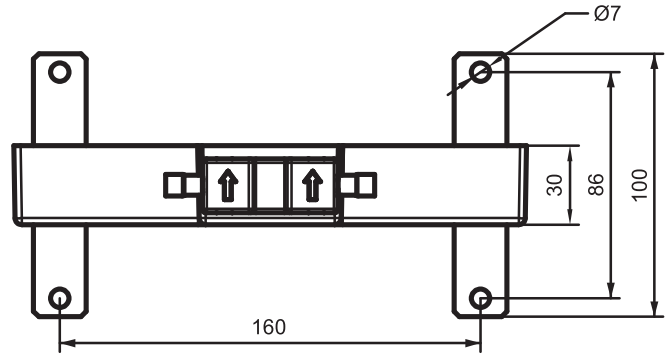
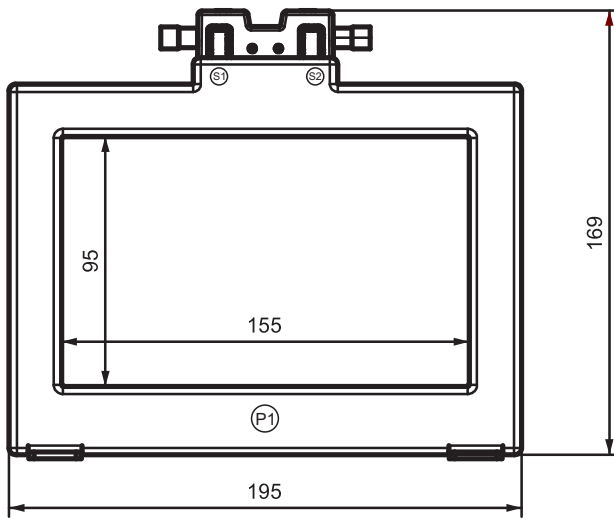


OMEGA RC70

Primary Current (A)	VA	Class	VA	Class
2000	15	1	10	0.5
3000	25	1	20	0.5
3200	25	1	20	0.5

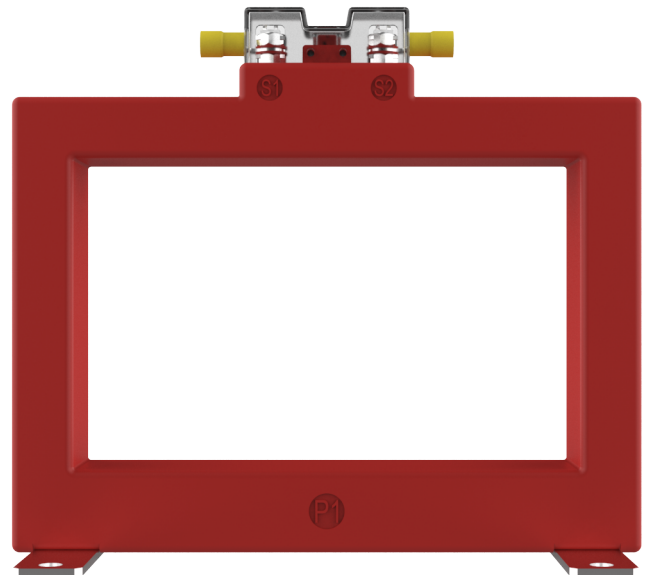


OMEGA RC80

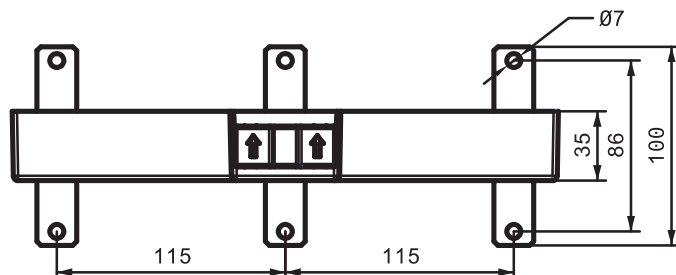
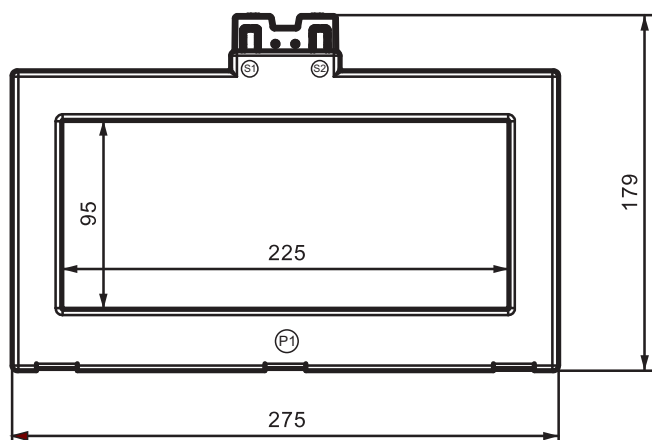


OMEGA RC80

Primary Current (A)	VA	Class	VA	Class
3000	20	1	15	0.5
3200	20	1	15	0.5
4000	30	1	25	0.5

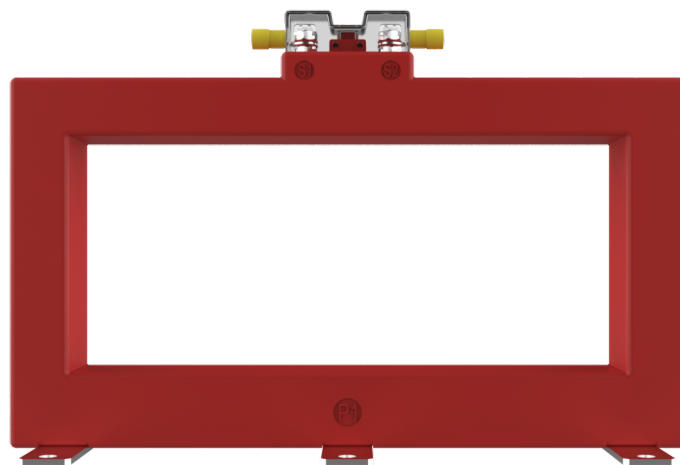


# OMEGA RC90



## OMEGA RC90

Primary Current (A)	VA	Class	VA	Class
5000	30	1	30	0.5
6000	30	1	30	0.5
7500	30	1	30	0.5



**sifam tinsley**  
PRECISION INSTRUMENTATION

Sifam Tinsley Instrumentation Inc.  
2105, Barrett Park Dr. Unit 105.  
Kennesaw, GA 30144, USA  
E-mail Id : [psk@sifamtinsley.com](mailto:psk@sifamtinsley.com)  
[info@sifamtinsley.com](mailto:info@sifamtinsley.com)  
Web : [www.sifamtinsley.com](http://www.sifamtinsley.com)  
Contact No. : +1 404 736 4903

Sifam Tinsley Instrumentation Ltd  
Unit 1 Warner Drive,  
Springwood Industrial Estate  
Braintree, Essex, UK, CM72YW  
E-mail: [sales@sifamtinsley.com](mailto:sales@sifamtinsley.com)  
Web: [www.sifamtinsley.com/uk](http://www.sifamtinsley.com/uk)  
Contact: +44(0)1803615139